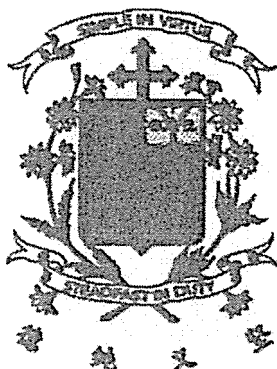


Name: _____ ()

Class: Primary 5 _____

CHIJ ST NICHOLAS GIRLS' SCHOOL (PRIMARY)



Primary 5 Mathematics

2022 Term 3 Weighted Assessment

Paper 1

Booklet A

22 August 2022

**15 questions
20 marks**

Total Time for Booklets A and B: 1 hour

INSTRUCTIONS TO CANDIDATES

Do not turn over this page until you are told to do so.

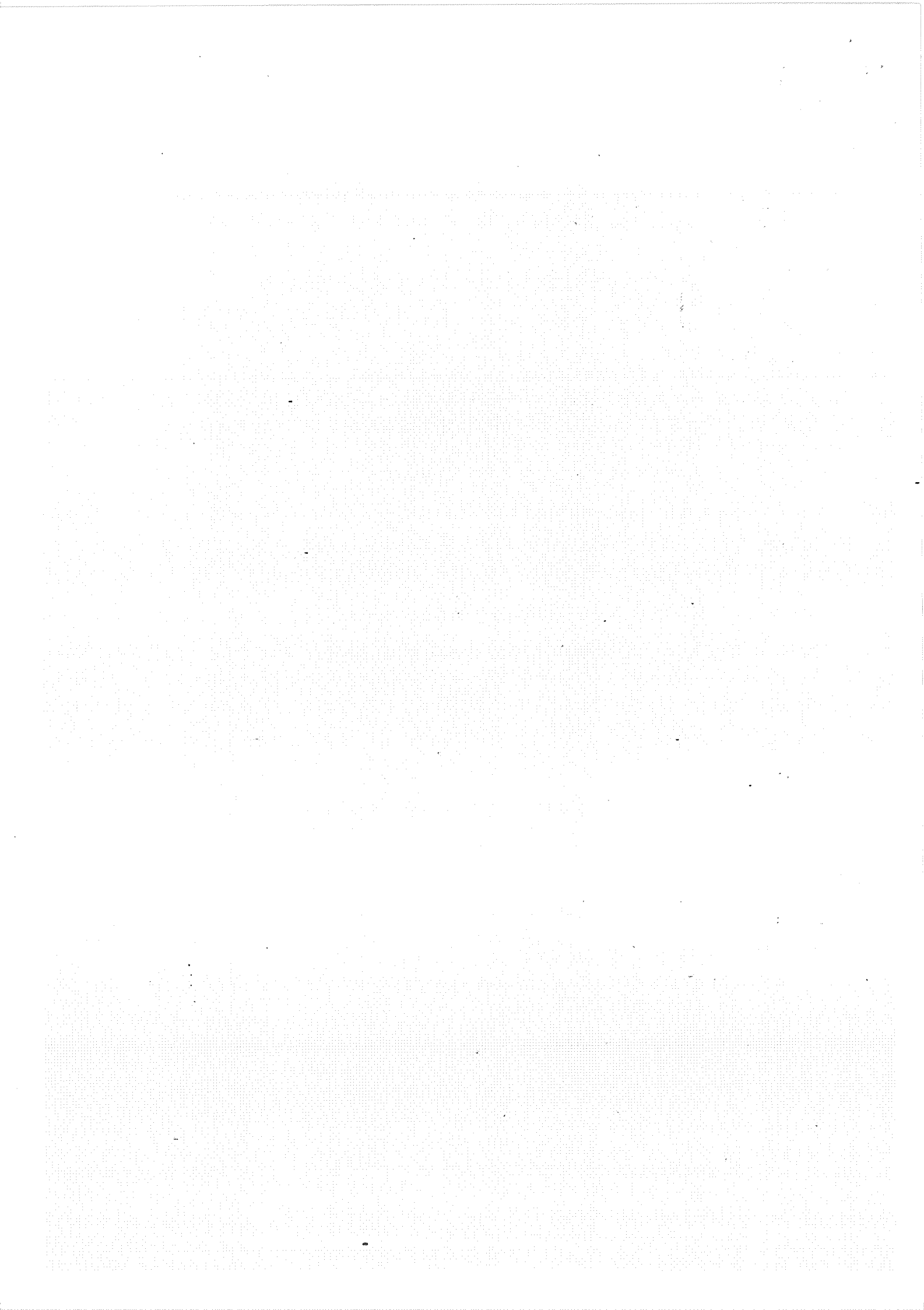
Follow all instructions carefully.

Answer all questions.

Write your answers in this booklet.

The use of calculators is **NOT** allowed.

This booklet consists of 8 printed pages.

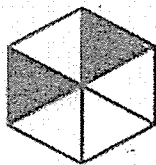


Questions 1 to 10 carry 1 mark each. Questions 11 to 15 carry 2 marks each. For each question, four options are given. One of them is the correct answer. Make your choice (1, 2, 3 or 4). Shade the correct oval (1, 2, 3, or 4) on the Optical Answer Sheet. (20 marks)

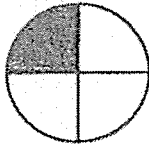
1. Which one of the following is two hundred and seven thousand and eleven in numerals?

- (1) 2711
- (2) 27 011
- (3) 207 011
- (4) 270 011

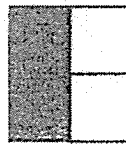
2. Which one of the following shows $\frac{1}{3}$ of the figure shaded?



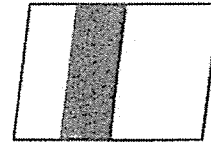
(1)



(2)



(3)

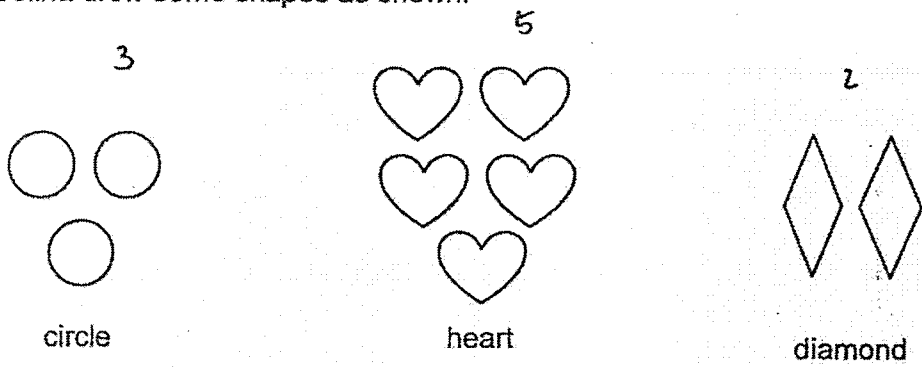


(4)

3. In the number 56.79, which digit is in the tenths place?

- (1) 5
- (2) 6
- (3) 7
- (4) 9

4. Colina drew some shapes as shown.



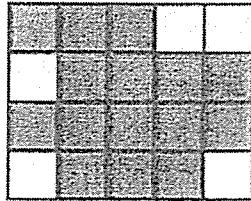
What is the ratio of the number of diamonds to the total number of shapes?

- (1) 1 : 5
- (2) 1 : 4
- (3) 1 : 3
- (4) 1 : 2

5. What is the possible mass of a Primary 5B Mathematics Workbook?

- (1) 4000 g
- (2) 400 g
- (3) 40 g
- (4) 4 g

6. What percentage of the figure shown below is unshaded?



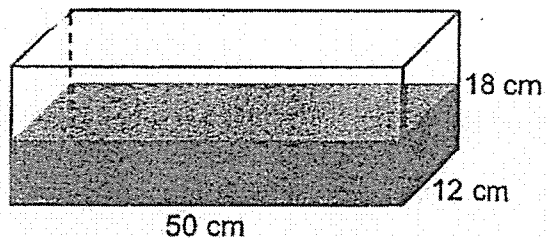
- (1) 5%
- (2) 15%
- (3) 25%
- (4) 75%

7. There are 130 white pins and 70 black pins. What percentage of the pins are black pins?

- (1) 7%
- (2) 35%
- (3) 65%
- (4) 70%

8. A tank measuring 50 cm by 12 cm by 18 cm tall is $\frac{4}{9}$ filled with water. How much more water is required to fill the tank to its brim?

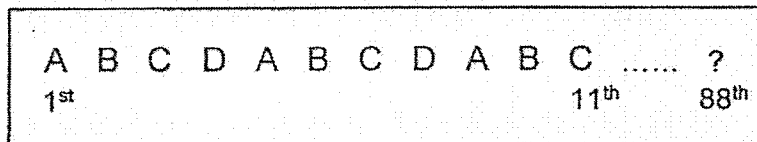
- (1) 10 800 cm³
- (2) 6000 cm³
- (3) 4800 cm³
- (4) 1200 cm³



9. Ping Chen has some gold and silver beads. The ratio of the number of gold beads to the number of silver beads is 5 : 3. She has 120 more gold beads than silver beads. How many beads does she have altogether?

- (1) 480
- (2) 320
- (3) 300
- (4) 192

10. The first 11 letters of a pattern are shown below.



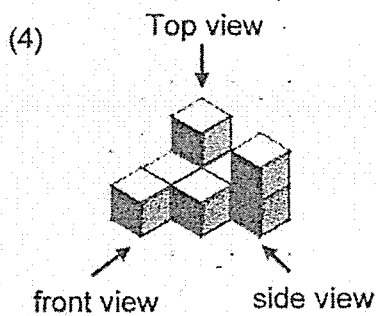
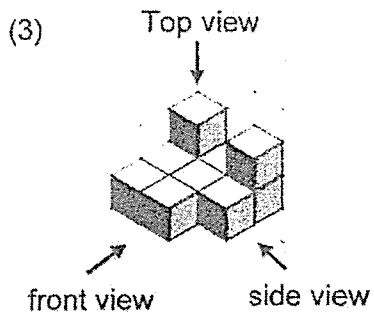
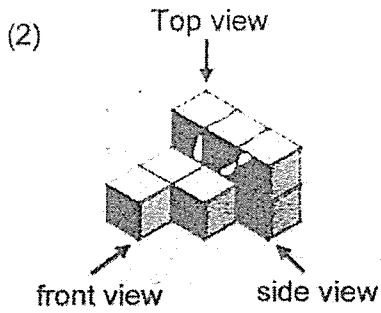
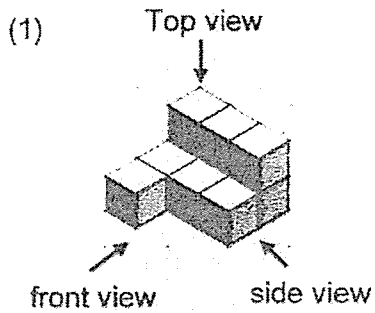
What is the 88th letter?

- (1) A
- (2) B
- (3) C
- (4) D

11. Jason drew the top view, front view and side view of a solid figure.

Top View	Front View	Side View

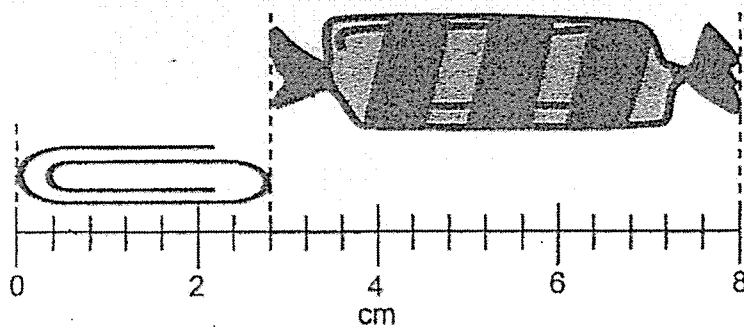
Which one of the following is the possible representation of the solid figure?



12. Mrs Salleh baked some chocolate, mint and walnut cookies. $\frac{1}{3}$ of the cookies baked were chocolate cookies. $\frac{1}{6}$ of the remaining cookies were mint cookies and the rest were walnut cookies. What fraction of the cookies baked were walnut cookies?

- (1) $\frac{5}{6}$
- (2) $\frac{5}{9}$
- (3) $\frac{1}{2}$
- (4) $\frac{1}{9}$

13. How much longer is the sweet than the paper clip?



- (1) 5.2 cm
- (2) 2.8 cm
- (3) 2.4 cm
- (4) 2.0 cm

14. This year, Indra is 8 years old. Last year, Indra's father was five times of Indra's age. How old is Indra's father this year?

(1) 35

(2) 36

(3) 40

(4) 41

15. Aisha had 60 balloons at first. She used half of the total number of balloons for a party. Her mother then bought her another 12 balloons. Aisha gave all the balloons she had in the end equally to 6 friends. How many balloons did each friend receive?

(1) $(60 \div 2) + 12 \div 6$

(2) $60 \div (2 + 12) \div 6$

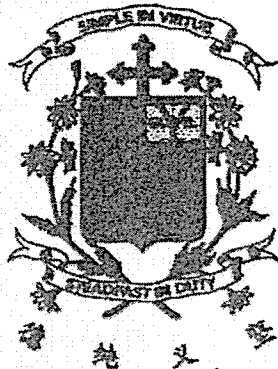
(3) $(60 \div 2 + 12) \div 6$

(4) $60 \div (2 + 12 \div 6)$

Name: _____ ()

Class: Primary 5 _____

CHIJ ST NICHOLAS GIRLS' SCHOOL (PRIMARY)



Primary 5 Mathematics

2022 Term 3 Weighted Assessment

Paper 1

Booklet B

22 August 2022

15 questions
25 marks

Booklet A	20
Booklet B	25
Total (Paper 1)	45

Total Time for Booklets A and B: 1 hour

INSTRUCTIONS TO CANDIDATES

Do not turn over this page until you are told to do so.
Follow all instructions carefully.
Answer all questions.
Write your answers in this booklet.
The use of calculators is **NOT** allowed.

This booklet consists of 10 printed pages.

Questions 16 to 20 carry 1 mark each. Show your working clearly and write your answers in the spaces provided. For questions which require units, give your answers in the units stated. (5 marks)

Do not write
in this space

16. Round 15 483 to the nearest hundred.

Ans: _____

17. Find the value of $\frac{6}{10} \times \frac{4}{3}$:

Give your answer as a fraction in the simplest form.

Ans: _____

18. Find the value of 1.59×90 .

Ans: _____

19. What is the missing number in the box?

$$\begin{aligned} & 3 : 13 : 9 \\ = & 18 : \boxed{?} : 54 \end{aligned}$$

Do not write
in this space

Ans: _____

20. Fill in the blank.

$$1048 \text{ cm} = \underline{\hspace{2cm}} \text{ m}$$

Ans: _____

Questions 21 to 30 carry 2 marks each. Show your working clearly and write your answers in the spaces provided. For questions which require units, give your answers in the units stated. (20 marks)

Do not write in this space

21. Best Buy Stationery Shop sells the following:

Item	Price (each)
Ruler	\$1.05
Pencil	90¢
Eraser	55¢

Mrs Munah bought 3 rulers, 2 pencils and 1 eraser. How much money did she spend altogether?

Ans: \$ _____

22. A total of 4002 children and adults were at a carnival. There were 200 more children than adults. How many children were there?

Ans: _____

--

Do not write
in this space

23. At first, Stacy spent $\frac{3}{10}$ of her money on food and \$135 on a bag. She was left with $\frac{1}{4}$ of her money. How much did Stacy have at first?

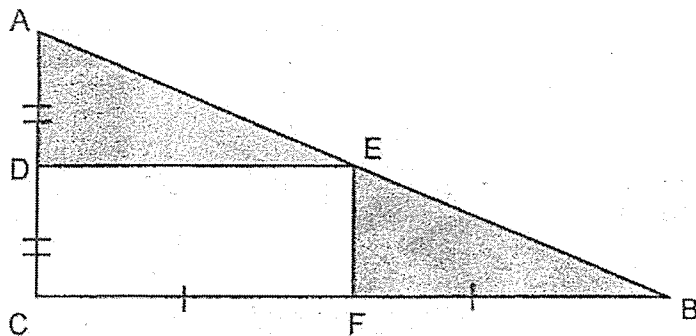
Ans: \$ _____

24. Joanne bought some keychains and candles for an event. The ratio of the number of keychains to the number of candles bought was 3 : 8. Joanne bought 168 keychains. How many candles did she buy?

Ans: _____

25. Triangle ABC is made up of a rectangle and 2 small triangles.

Do not write
in this space



AC = 10 cm and BC = 24 cm. AD = DC and CF = FB.

What is the total area of the shaded part?

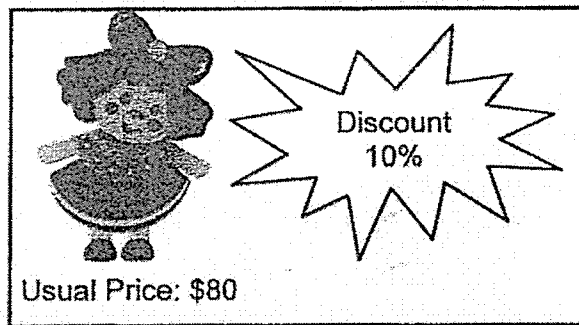
Ans: _____ cm²

26. A bank paid 1% interest at the end of each year. Mr Ong had \$3000 at the start of the year in his account. He did not withdraw any of his money. How much money did he have in his account at the end of the year?

Ans: \$ _____

27. Beth saves \$7 every week. She wants to buy a toy doll.

Do not write
in this space

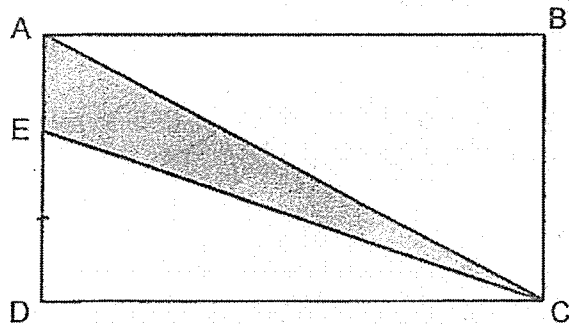


What is the least number of weeks she needs to save before she is able to buy the toy doll?

Ans: _____

28. Rectangle ABCD is made up of 3 triangles ABC, ACE and CDE. The area of rectangle ABCD is 450 cm^2 . The length of AD is three times the length of AE. What is the area of the shaded triangle ACE?

Do not write
in this space



Ans: _____ cm^2

8

MARKS:

29. At first, there were some children at a party. During lunch, some children left the party. $\frac{3}{7}$ of the total number of children remained at the party. After lunch, another 27 children joined the party. In the end, there were 3 more children than the number of children at first.

Do not write in this space

Each of the statement is either true, false or not possible to tell from the information given. For each statement, put a tick (✓) to indicate your answer.

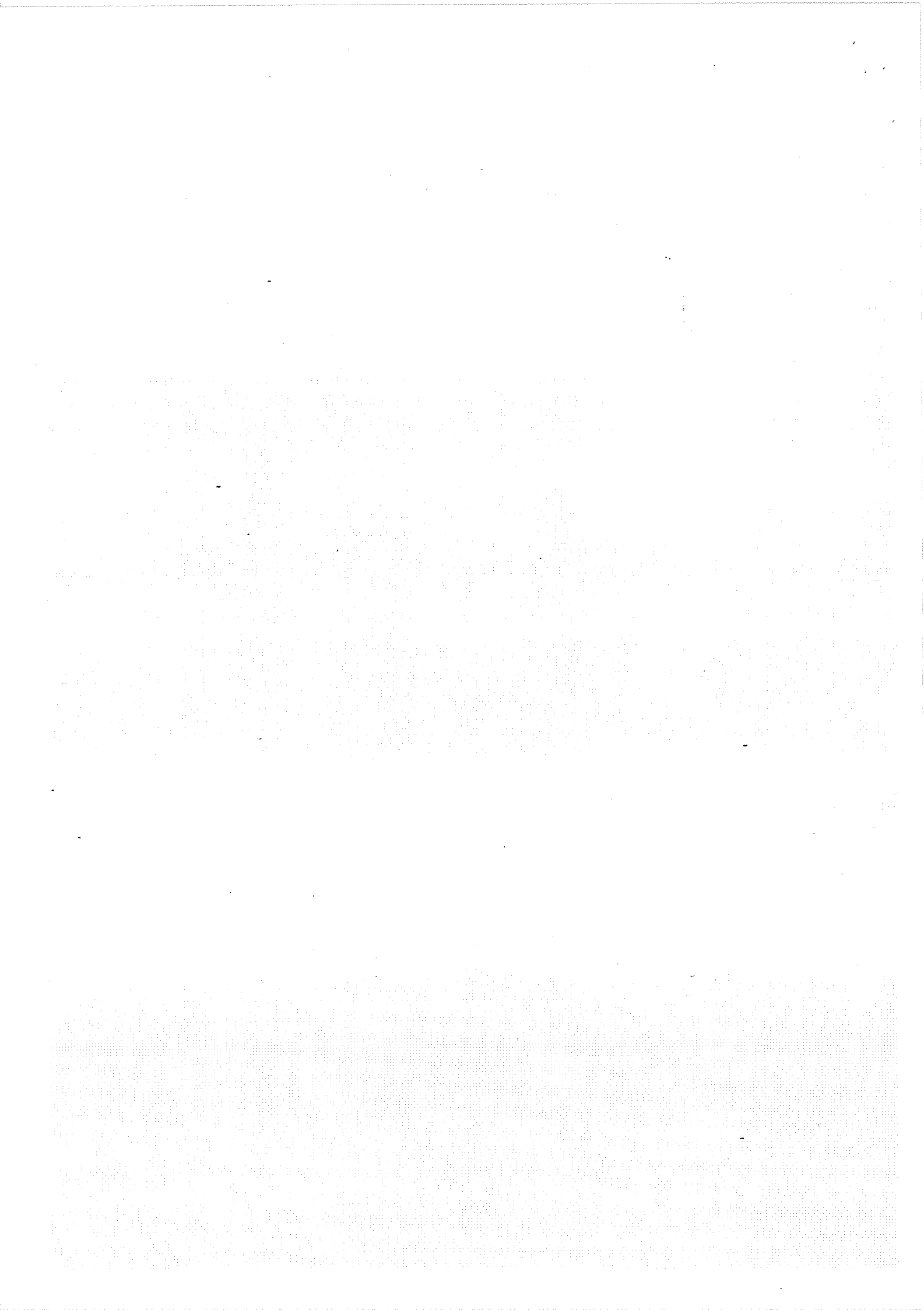
Statement	True	False	Not possible to tell
At first, there were 42 children at the party.			
There were more girls than boys at the party in the end.			

30. 1 storybook and 2 similar water bottle cost \$90.
2 similar storybooks cost as much as 5 similar water bottle.
How much does 1 water bottle cost?

Do not write
in this space

Ans: \$ _____

End of Paper



YEAR : 2022
 LEVEL : PRIMARY 5
 SCHOOL : CHIJ ST NICOLAS GIRLS' SCHOOL
 SUBJECT : MATHEMATICS
 TERM. : TERM 3 WEIGHTED ASSESSMENT

PAPER 1 (BOOKLET A)

Q1	3	Q2	1	Q3	3	Q4	1	Q5	2
Q6	3	Q7	2	Q8	2	Q9	1	Q10	4
Q11	4	Q12	2	Q13	3	Q14	2	Q15	3

(BOOKLET B)

Q16	15500
Q17	$\frac{6}{10} \times \frac{4}{5}$ $= \frac{8}{10}$ $= \frac{4}{5}$
Q18	$1.59 = \frac{159}{100}$ $\frac{159}{100} \times \frac{90}{1}$ $= 143\frac{1}{10}$
Q19	$54 \div 9 = 6$ $13 \times 6 = 78$
Q20	10.48m
Q21	$1.05 \times 3 = 3.15$ $0.9 \times 2 = 1.8$ $3.15 + 1.8 + 0.55 = \$5.50$
Q22	$4002 - 200 = 3802$ $3802 \div 2 = 1901$ $1901 + 200 = 2101$
Q23	$\frac{3}{4} = \frac{12}{40}$ $1 - \frac{12}{40} = \frac{28}{40}$ $\frac{1}{4} = \frac{10}{40}$ $\frac{28}{40} - \frac{10}{40} = \frac{18}{40}$ $135 \div 18 = 7.5$ $7.5 \times 40 = \$300$
Q24	$168 \div 3 = 56$ $56 \times 8 = 448$
Q25	$1 + 1 = 2$ $10 \div 2 = 5$ $24 \div 2 = 12$ $\frac{1}{2} \times 12 \times 5 = 30$ $30 \times 2 = 60\text{cm}^2$

Q26	$3000 \div 100 = 30$ $3000 + 30 = \$3030$														
Q27	$80 \div 100 = 0.8$ $0.8 \times 10 = 8$ $80 - 8 = 72$ $72 \div 7 = 10R2$ $10 + 1 = 11$														
Q28	$450 \div 6 = 75\text{cm}^2$														
Q29	<table border="1"> <thead> <tr> <th>Statement</th> <th>True</th> <th>False</th> <th>Not possible to tell</th> </tr> </thead> <tbody> <tr> <td>At first, there were 42 children at the party.</td> <td style="text-align: center;">✓</td> <td></td> <td></td> </tr> <tr> <td>There were more girls than boys at the party in the end.</td> <td></td> <td style="text-align: center;">-</td> <td style="text-align: center;">✓</td> </tr> </tbody> </table>			Statement	True	False	Not possible to tell	At first, there were 42 children at the party.	✓			There were more girls than boys at the party in the end.		-	✓
Statement	True	False	Not possible to tell												
At first, there were 42 children at the party.	✓														
There were more girls than boys at the party in the end.		-	✓												
Q30	$5 \div 2 = 2.5$ $2 \div 2 = 1$ $1 \times 5 = 5$ $2 \times 5 = 10$ $90 \times 5 = 450$ $10 \div 2.5 = 4$ $4 + 5 = 9$ $450 \div 9 = 50$ $50 \times 2 = 100$ $100 \div 5 = \$20$														

7
END