



Rosyth School
Weighted Assessment 2022
MATHEMATICS
Paper 1
Primary 5

Name: _____

Register No. _____

Class: Pr 5 _____

Date: 11 May 2022

Parent's Signature: _____

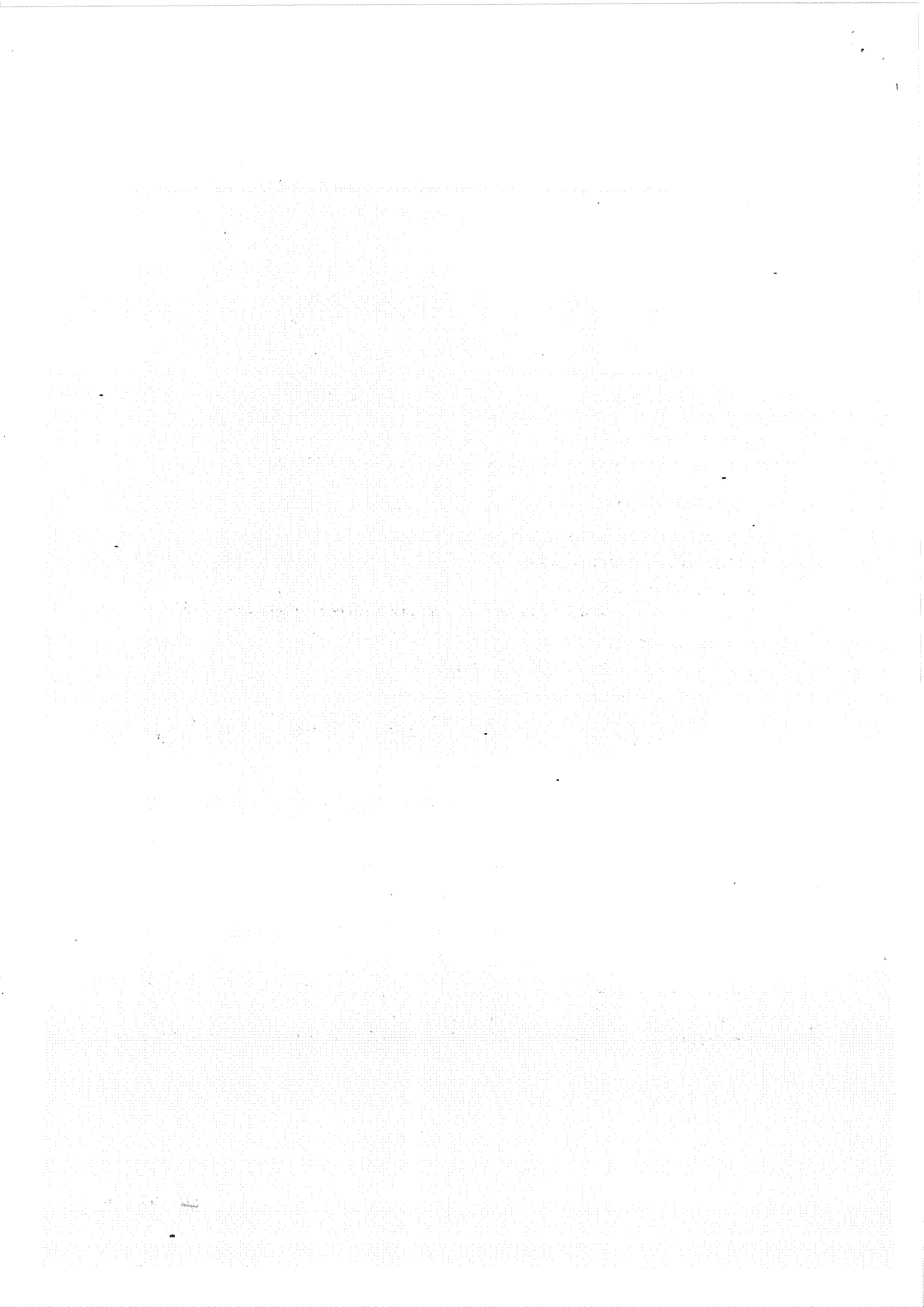
Time: 25 min

Instructions to Pupils:

1. Do not turn over this page until you are told to do so.
2. Follow all instructions carefully.
3. Answer all questions.
4. Use a dark blue or black ballpoint pen to write your answers in the space provided for each question.
5. Do not use correction fluid/tape or highlighters.
6. The use of a calculator is not allowed.

Questions	Maximum Mark	Marks Obtained
Q 1 - 5	5	
Q 6 - 14	15	
Q15 - 19	16	
Total	36	

* This booklet consists of 6 pages (including this cover page)



Section A

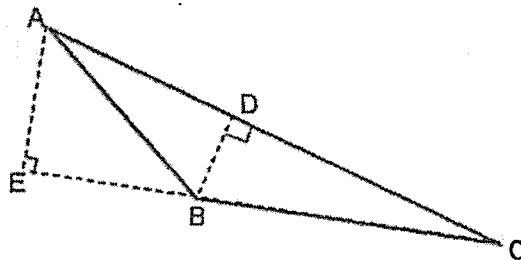
Questions 1 to 5 carry 1 mark each. For each question, four options are given. One of them is the correct answer. Make your choice (1, 2, 3 or 4) and write your answer in the brackets provided. All diagrams in this paper are not drawn to scale unless stated otherwise.

(20 marks)

1. In 8 127 349, the value of digit 1 is _____.

- (1) 100
- (2) 1000
- (3) 10 000
- (4) 100 000

2. Identify the base of triangle ABC given that BD is its height.



- (1) AC
- (2) EB
- (3) AE
- (4) BC

3. The table below shows the number of cupcakes baked by Radziah.

Butter	Chocolate	Strawberry
24	10	22

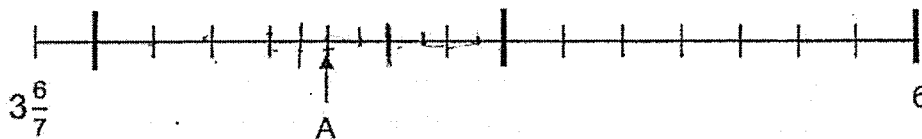
Find the ratio of the number of butter cupcakes to the total number of chocolate and strawberry cupcakes that Radziah baked.

- (1) 3 : 4
 (2) 3 : 7
 (3) 12 : 5
 (4) 12 : 11 ()

4. What is the value of $\frac{2}{3} \times \frac{5}{6}$?

- (1) $\frac{7}{9}$
 (2) $\frac{5}{9}$
 (3) $\frac{4}{5}$
 (4) $\frac{7}{18}$ ()

5. What is the value of A as a decimal rounded to 2 decimal places?



- (1) 4.47
 (2) 4.74
 (3) 4.57
 (4) 4.58 ()

Section B

Questions 6 to 8 carry 1 mark each. Questions 9 to 14 carry 2 marks each. Write your answers in the spaces provided. For questions which require units, give your answers in the units stated.

(15 marks)

Do not write in this space.

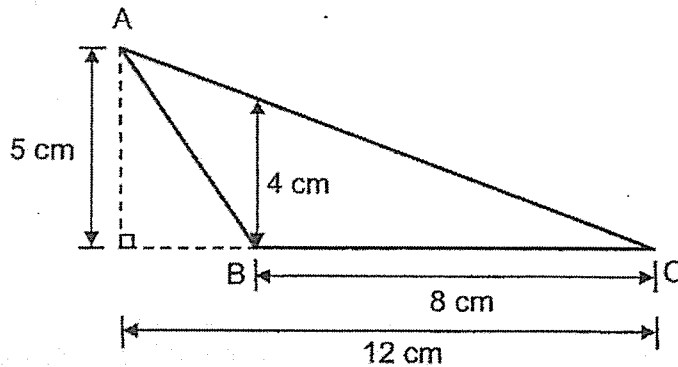
6. What is the value of $2 \times (20 - 5) \div 3 + 2$?

Answer: _____

7. The ratio of Eddie's age to his mother's age now is 1 : 5. His mother is 65 years old. What is Eddie's age?

Answer: _____

8. What is the area of the triangle ABC shown below?



Answer: _____ cm²

Do not
write in
this space.

9. Linda has $2\frac{1}{8}$ m of ribbon. She has $1\frac{3}{16}$ m less ribbon than what Susan has. What is the total length of ribbon they have?

Answer: _____ m

10. Darian, Jaclyn and Ah Liang collected some stamps. Darian had 12 950 stamps. Jaclyn had 2750 stamps more than Darian. Ah Liang had 1650 stamps less than Jaclyn. How many stamps did Ah Liang have?

Answer: _____

11. There is a total of 918 students in a school. The ratio of the number of girls to the number of boys is 2 : 7. How many more boys than girls are there?

Answer: _____

12. Siva bought some cookies. He ate $\frac{2}{5}$ of the cookies and gave $\frac{4}{9}$ of the remaining cookies to his son. What fraction of the cookies was given to his son? Give your answer in the simplest form.

Do not write in this space

Answer: _____

13. Daryl wants to put 72 stalks of orchids and 45 stalks of carnations into identical vases. An equal number of each type of flower is put into each vase. What is the greatest number of vases that Daryl can use?

Answer: _____

14. Elena has a total of 4200 orange, red and green stickers. The ratio of the number of red stickers to the total number of stickers is 1 : 6. What is the total number of green and orange stickers that Elena have?

Answer: _____



Rosyth School
Weighted Assessment 2022
MATHEMATICS
Paper 2
Primary 5

Name: _____

Register No. _____

Class: Pr 5 _____

Date: 11 May 2022

Parent's Signature: _____

Time: 30 min

Instructions to Pupils:

1. Do not turn over this page until you are told to do so.
2. Follow all instructions carefully.
3. Answer all questions.
4. Use a dark blue or black ballpoint pen to write your answers in the space provided for each question.
5. Do not use correction fluid/tape or highlighters.
6. The use of an approved calculator is allowed.

Questions	Maximum Mark	Marks Obtained
Q15 - 19	16	

* This booklet consists of 6 pages (including this cover page)

Section C

For questions 15 to 19, show your working clearly and write your answers in the spaces provided. The number of marks available is shown in the brackets [] at the end of each question.

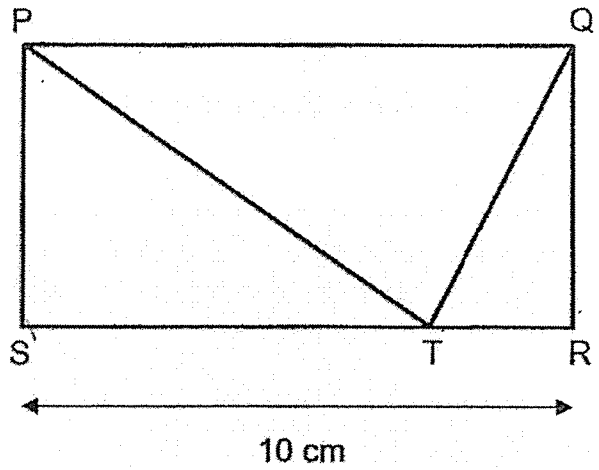
Do not
write in
this
space

15. Mr Chua and Miss Sally had the same amount of money. Mr Chua bought 3 muffins and had \$13 left. Miss Sally wanted to buy 8 muffins but was short of \$11. What was the cost of 1 muffin?

Answer: \$ _____ [2]

16. The figure below shows a rectangle PQRS and three triangles PTS, PQT and QRT. The ratio of the area of triangle PTS to the area of triangle QRT is 3 : 1. If the area of PTS is 30 cm^2 , find the length of QR.

Do not write
in this space



Answer. _____ [3]

17. Seng bought some blue and red pens at a stationery shop. $\frac{2}{3}$ of the pens he bought were blue and the rest were red. He gave away $\frac{1}{2}$ of the red pens and had 100 red pens left. He then gave away $\frac{2}{5}$ of the blue pens. How many blue pens did he give away?

Do not write in this space

Answer: _____ [3]



18. Yazid was given some money. He spent an equal amount of money each day. After 3 days, $\frac{3}{4}$ of his pocket money was left. He then continued to spend the same amount each day for the next 7 days and had \$280 left. Find the amount of money that Yazid was given at first.

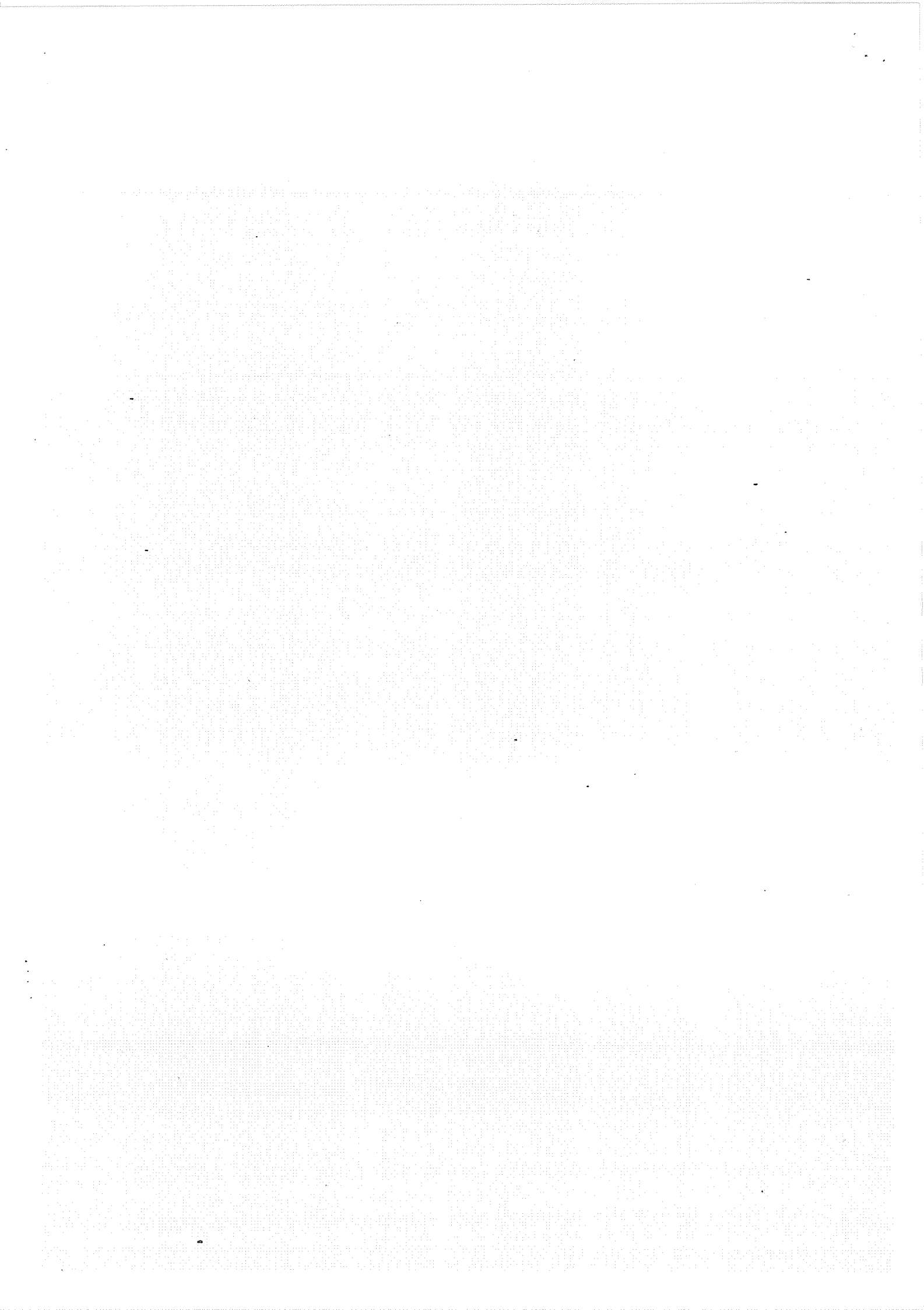
Do not write
in this space

Answer: _____ [4]

Do not write
in this space

19. Steven had some boxes of pencils, each containing the same number of pencils. He took 21 pencils out from each box. As a result, the total number of pencils left in the 5 boxes of pencils was equal to the total number of pencils in 2 of the boxes of pencils at first. What was the total number of pencils in each box at first?

Answer: _____ [4]



YEAR : 2022
 LEVEL : PRIMARY 5
 SCHOOL : ROYSTH SCHOOL
 SUBJECT : MATHEMATICS
 TERM. : WEIGHTED ASSESSMENT

Q1	4	Q2	1	Q3	1	Q4	2	Q5	3
----	---	----	---	----	---	----	---	----	---

Q6	$2 \times 15 \div 3 + 2 = 12$	Q7	$65 \div 5 = 13$
Q8	$5 \times 8 \times \frac{1}{2} = 20\text{cm}^2$	Q9	$2\frac{1}{8} = 2\frac{2}{16}$ $2\frac{2}{16} + 1\frac{3}{16} = 3\frac{5}{16}$ $3\frac{5}{16} + 2\frac{2}{16} = 5\frac{7}{16}\text{m}$
Q10	$12\ 950 + 2750 = 15\ 700$ $15\ 700 - 1650 = 14050$	Q11	$918 \div 9 = 102$ $102 \times 5 = 510$
Q12	$\frac{4}{15}$	Q13	9
Q14	$4200 \div 6 = 700$ $700 \times 5 = 3500$	Q15	$5u = \$13 + \11 $= \$24$ $u = \$24 \div 5 = \4.80
Q16	$30 + 10 = 40$ $40 \times 2 = 80$ $80 = 8 \times 10$ Ans: 8cm	Q17	$100 \times 2 = 200$ $200 \times 2 = 400$ $400 \div 5 = 80$ $80 \times 2 = 160$
Q18	1 day : $1/12$ 10 days : $10/12$ $280 \div 2 = 140$ $140 \times 12 = \$1680$	Q19	$21 \times 5 = 105$ $105 \div 3 = 35$

1
END

