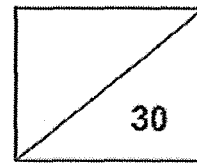




Maha Bodhi School  
Term 2 Mathematics Revision  
Primary 5  
Mathematics



Name: \_\_\_\_\_ (       )

Class: Primary 5 \_\_\_\_\_

Duration: 40 minutes

Date: \_\_\_\_\_

Parent's Signature: \_\_\_\_\_

---

Note: The use of calculators is NOT allowed.

Questions 1 to 6 carry 1 mark each. Questions 7 to 10 carry 2 marks each.  
For each question, four options are given. One of them is the correct answer.  
Make your choice (1, 2, 3 or 4) and write your choice in the bracket (       ) provided.  
(14 marks)

---

1. Which of the following numbers is a factor of both 48 and 54?

- (1) 9
- (2) 8
- (3) 3
- (4) 4

(       )

2. What is the value of  $84 - (18 \times 2) + 6 + 3$ ?

- (1) 11
- (2) 75
- (3) 80
- (4) 81

(       )

3. Which of the following fractions is closest to 1?

(1)  $\frac{3}{4}$

(2)  $\frac{4}{3}$

(3)  $\frac{5}{6}$

(4)  $\frac{6}{5}$

( )

4. Express 30 l 35 ml in ml.

(1) 30 350 ml

(2) 30 035 ml

(3) 3 350 ml

(4) 3 035 ml

( )

5.  $24 : 42 = \square : 56$

What is the missing number in the box?

(1) 38

(2) 32

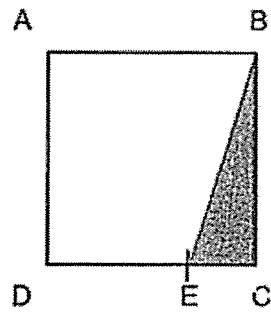
(3) 7

(4) 4

( )

6. ABCD is a square of side 12 cm.

EC is  $\frac{1}{3}$  the length of DC. Find the area of triangle BCE.



- (1) 24 cm<sup>2</sup>
- (2) 48 cm<sup>2</sup>
- (3) 72 cm<sup>2</sup>
- (4) 144 cm<sup>2</sup>

( )

7. What is the sum of the first two common multiples of 4 and 6?

- (1) 24
- (2) 36
- (3) 48
- (4) 60

( )

8. Grace bought a 2 m long ribbon.  $\frac{2}{5}$  m of the ribbon was used to tie a present and  $\frac{3}{10}$  m of the ribbon was used to make a necklace.

How much of the ribbon was left?

(1)  $\frac{3}{5}$  m

(2)  $\frac{7}{10}$  m

(3)  $1\frac{2}{5}$  m

(4)  $1\frac{3}{10}$  m

( )

9. Michael sorted  $7\frac{2}{3}$  kg of recyclable materials in the morning.

He sorted  $3\frac{1}{6}$  kg less recyclable materials in the afternoon.

How much recyclable materials did he sort altogether?

(1)  $4\frac{1}{2}$  kg

(2)  $10\frac{5}{6}$  kg

(3)  $10\frac{1}{3}$  kg

(4)  $12\frac{1}{6}$  kg

( )

10. Mr Tang gave monthly allowance to his elder daughter and younger son in the ratio 5 : 3. His daughter received \$50 more than his son.

How much allowance did Mr Tang give to his children altogether each month?

(1) \$75

(2) \$80

(3) \$200

(4) - \$400

( )

Questions 11 to 14 carry 1 mark each. Write your answers in the spaces provided.

For questions which require units, give your answers in the units stated. (4 marks)

---

11.  $16 \times 300 = \square \times 600.$

What is the missing number in the box?

Ans: \_\_\_\_\_

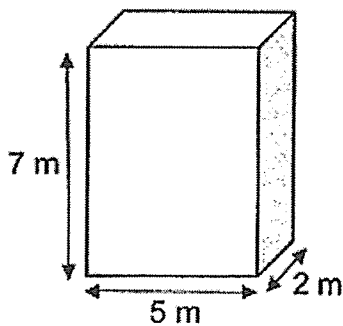
12. Find the product of  $\frac{7}{9}$  and  $\frac{3}{4}$ .

Leave your answer in its simplest form.

Ans: \_\_\_\_\_

13. A cuboid is 5 m long, 2 m wide and 7 m high.

What is the volume of the cuboid?



Ans: \_\_\_\_\_ m<sup>3</sup>

14. Mrs Low baked 34 muffins. 22 of them were chocolate muffins and the rest were banana muffins. What is the ratio of the number of chocolate muffins to the number of banana muffins?

Leave your answer in its simplest form.

Ans: \_\_\_\_\_

Questions 15 to 20 carry 2 marks each. Show your working clearly in the space below each question and write your answers in the spaces provided. For questions which require units, give your answers in the units stated. (12 marks)

---

15. Melody mixed water and syrup in the ratio 7 : 2 to make a drink. She used 98 ml of water. How many millilitres of drink did she make?

Ans: \_\_\_\_\_ ml

16. Mr Tan is at a bookshop. He wants to buy pens that cost \$2 each. For every 3 pens bought, he gets 1 pen free. Mr Tan would like to buy a pen for each of his 41 pupils. What is the least amount of money Mr Tan has to pay for all the pens?

Ans: \$ \_\_\_\_\_

17. Raju paid \$180 for a calculator, an e-dictionary and 10 files.  
The 10 files cost half as much as the calculator.  
The e-dictionary costs 3 times as much as the 10 files.  
How much did each file cost?

Ans: \$ \_\_\_\_\_

18. Anna had some \$2 and \$5 notes in the ratio of 3 : 1.  
The total value of the notes is \$99.  
How many pieces of \$5 notes did Anna have?

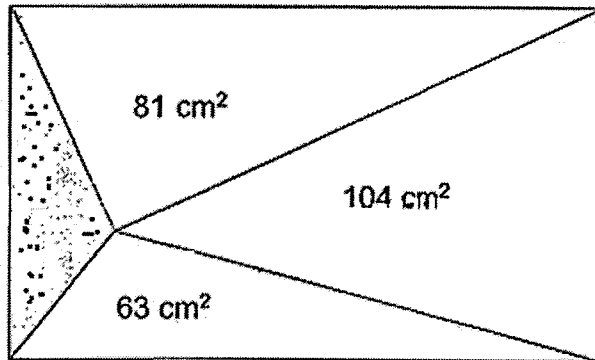
Ans: \_\_\_\_\_



19. Alan had some cards at first. He gave  $\frac{1}{2}$  of them to Ben and  $\frac{1}{8}$  of the remainder to Colin. He then bought another 153 cards and had as many cards as he had at first. How many cards did he give Ben?

Ans: \_\_\_\_\_

20. The rectangle below is made up of four triangles.  
The area of three of the triangles are shown.  
What is the area of the shaded triangle?



Ans: \_\_\_\_\_ cm<sup>2</sup>

12



*Remember to check your work!*

*~ End of Paper ~*

SCHOOL : MAHA BODHI PRIMARY SCHOOL  
 LEVEL : PRIMARY 5  
 SUBJECT : MATH  
 TERM : 2022 WA2

Q 1	Q2	Q3	Q4	Q5	Q6	Q7	Q8	Q9	Q10
3	4	3	2	2	1	2	4	4	3

Q11)	8
Q12)	$\frac{7}{12}$
Q13)	$5 \times 2 \times 7 = 70 \text{ m}^3$
Q14)	11 : 6
Q15)	$7u = 98$ $1u = 98 \div 7 = 14$ 9 units $14 \times 9 = 126 \text{ ml}$
Q16)	$1 \text{ set} \rightarrow 3 + 1 = 4 \text{ pens}$ $1 \text{ set} \rightarrow 3 \times \$2 = \$6$  $41 \div 4 = 10 \text{ R}1$ $\$6 \times 10 = \$60$ $\$60 + \$2 = \$62$
Q17)	$180 \div 3 = 60$ $60 \div 2 = 30$ $30 \div 10 = \$3$
Q18)	Value of 1 set $\rightarrow \$2 \times 3 + \$5 = \$11$ No. of sets = $\$99 \div \$11 = 9 \text{ sets}$ No of \$5 notes = $9 \times 1 = 9$

Q19)	136
Q20)	40cm <sup>2</sup>