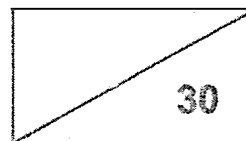


**Catholic High School (Primary)**  
**Primary 5 Mathematics 2022**  
**Weighted Assessment 2**

NAME : \_\_\_\_\_ (      )      DATE : \_\_\_\_\_

CLASS : \_\_\_\_\_

PARENT'S SIGNATURE : \_\_\_\_\_



**Section A**

Questions 1 to 4 carry 2 marks each. For each question, four options are given. Make your choice (1, 2, 3 or 4) and write your choices in the bracket provided. All diagrams are not drawn to scale. (8 marks)

---

1. What is the missing number in the box below?

$$12 : 30 = \boxed{\phantom{00}} : 25$$

(1) 5

(2) 7

(3) 10

(4) 17

(      )

- 
2. A board game costs \$63. A toy costs \$45 less than the board game. Find the ratio of the cost of the toy to the cost of the board game in the simplest form.

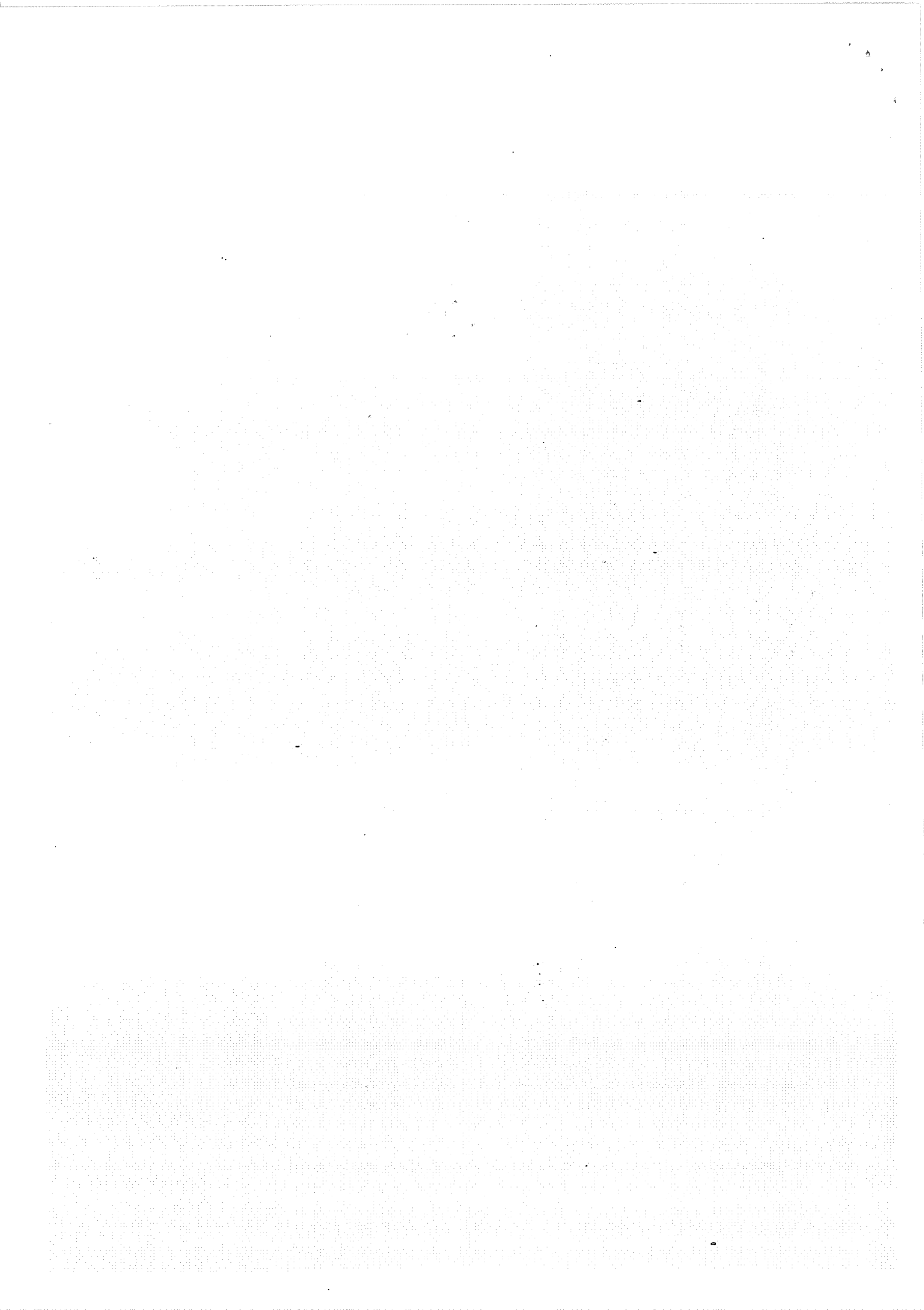
(1) 2 : 7

(2) 5 : 7

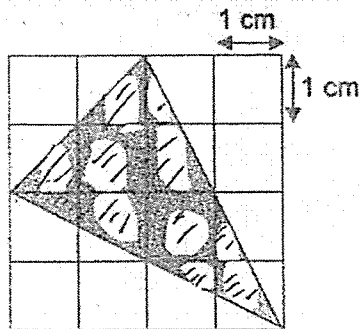
(3) 7 : 2

(4) 7 : 5

(      )



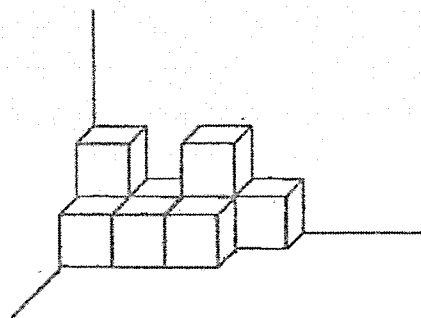
3. The shaded figure below is drawn on a square grid. Find the area of the shaded figure.



- (1)  $3 \text{ cm}^2$
- (2)  $6 \text{ cm}^2$
- (3)  $8 \text{ cm}^2$
- (4)  $10 \text{ cm}^2$

( )

4. The solid below is made up of 1-cm cubes. What is the least number of cubes to be added to the solid to form a cuboid?



- (1) 17
- (2) 16
- (3) 7
- (4) 5

( )

**Section B**

Questions 5 to 10 carry 2 marks each. Show your working clearly and write your answers in the spaces provided. For questions which require units, give your answers in the units stated. All diagrams are not drawn to scale.

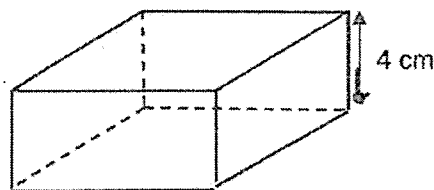
Do not write  
in this space

(12 marks)

5. There were 84 children in a movie theatre. The ratio of the number of adults to the number of children in the movie theatre was 8 : 7. How many more adults than children were there in the movie theatre?

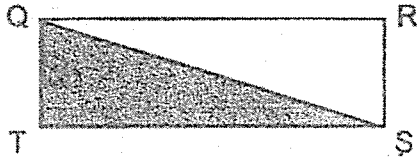
Ans: \_\_\_\_\_

6. The figure below shows a cuboid with a square base and a height of 4 cm. The side of the square base is twice of its height. Find the volume of the cuboid.



Ans: \_\_\_\_\_ cm<sup>3</sup>

7. The perimeter of rectangle QRST is 80 cm. The length QR is 3 times as long as its breadth RS. Find the area of the shaded triangle QST.



Do not write  
in this space

Ans: \_\_\_\_\_ cm<sup>2</sup>

8. The ratio of the number of fish in Tank A to the number of fish in Tank B was 5 : 9. There were 48 fewer fish in Tank A than in Tank B. How many fish were there in Tank A and Tank B altogether?

Ans: \_\_\_\_\_

9. The age of three siblings, Alan, Belle and Carl, are in the ratio of 1 : 3 : 2 now.

Do not write in this space

Each statement below is either true, false or not possible to tell from the information given. For each statement, put a (✓) in the correct column.

Statement	True	False	Not possible to tell
(a) The sum of Alan's and Belle's age is twice of Carl's age.			
(b) In two years' time, when Carl is 6 years old, Alan will be 3 years old.			

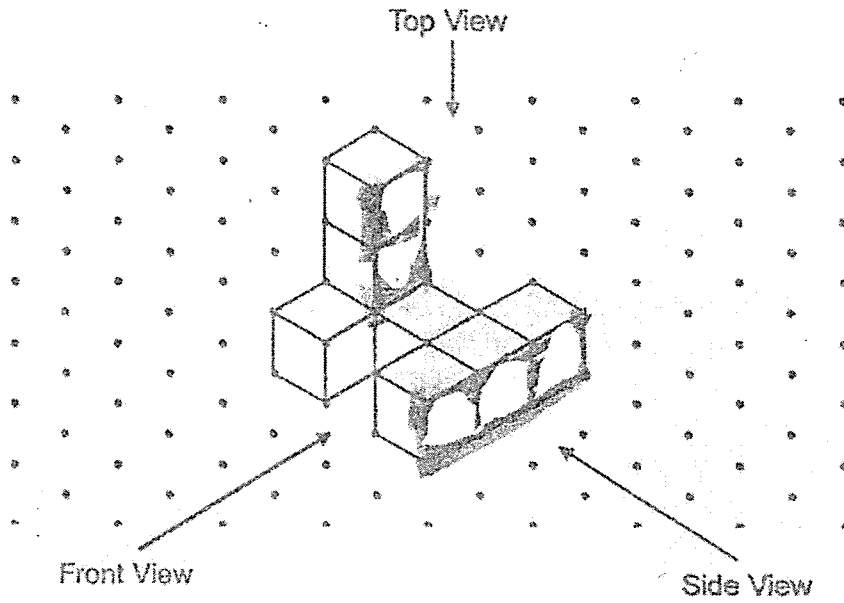


10.

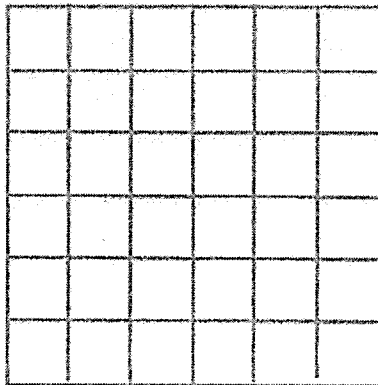
The following solid is made up of 8 unit cubes. Draw the ~~front view~~ and the side view of the solid.

Top view

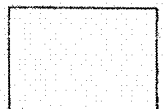
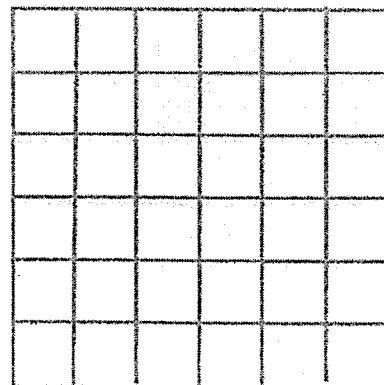
Do not write in this space



Side View



Top View

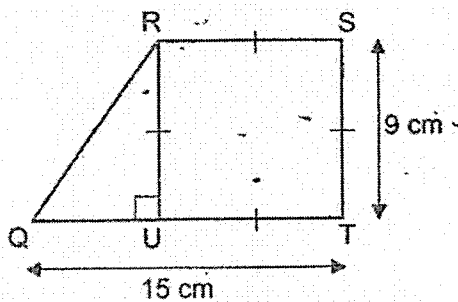


**Section C**

Do not write  
in this space

For questions 11 to 13, show your working clearly in the space provided for each question and write your answers in the spaces provided. The number of marks available is shown in brackets [ ] at the end of each question or part-question. (10 marks)

11. In the figure, QRSTU is made up of triangle QRU and square RSTU. ST = 9 cm and QT = 15 cm. Find the area of the figure QRSTU.



Ans: \_\_\_\_\_ [3]

12. Sam bought an oven, a pan and a toaster. The ratio of the cost of the oven to the cost of the pan to the cost of the toaster is 5 : 1 : 2. He paid \$384 for all three items. How much did he pay for the oven?

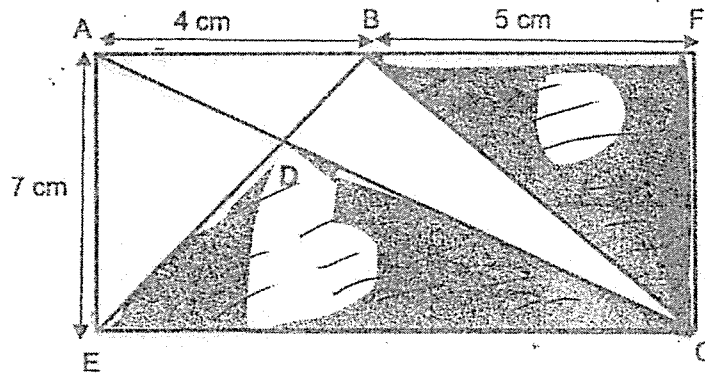
Ans: \_\_\_\_\_

Ans: \_\_\_\_\_ [3]

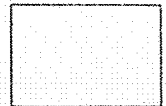


13. In the figure below, AFCE is a rectangle and the unshaded figure is made up of three triangles ABD, BCD and ADE.  $AB = 4$  cm,  $AE = 7$  cm and  $BF = 5$  cm. The area of triangle ABD is  $5$  cm<sup>2</sup>, find the total area of the shaded parts.

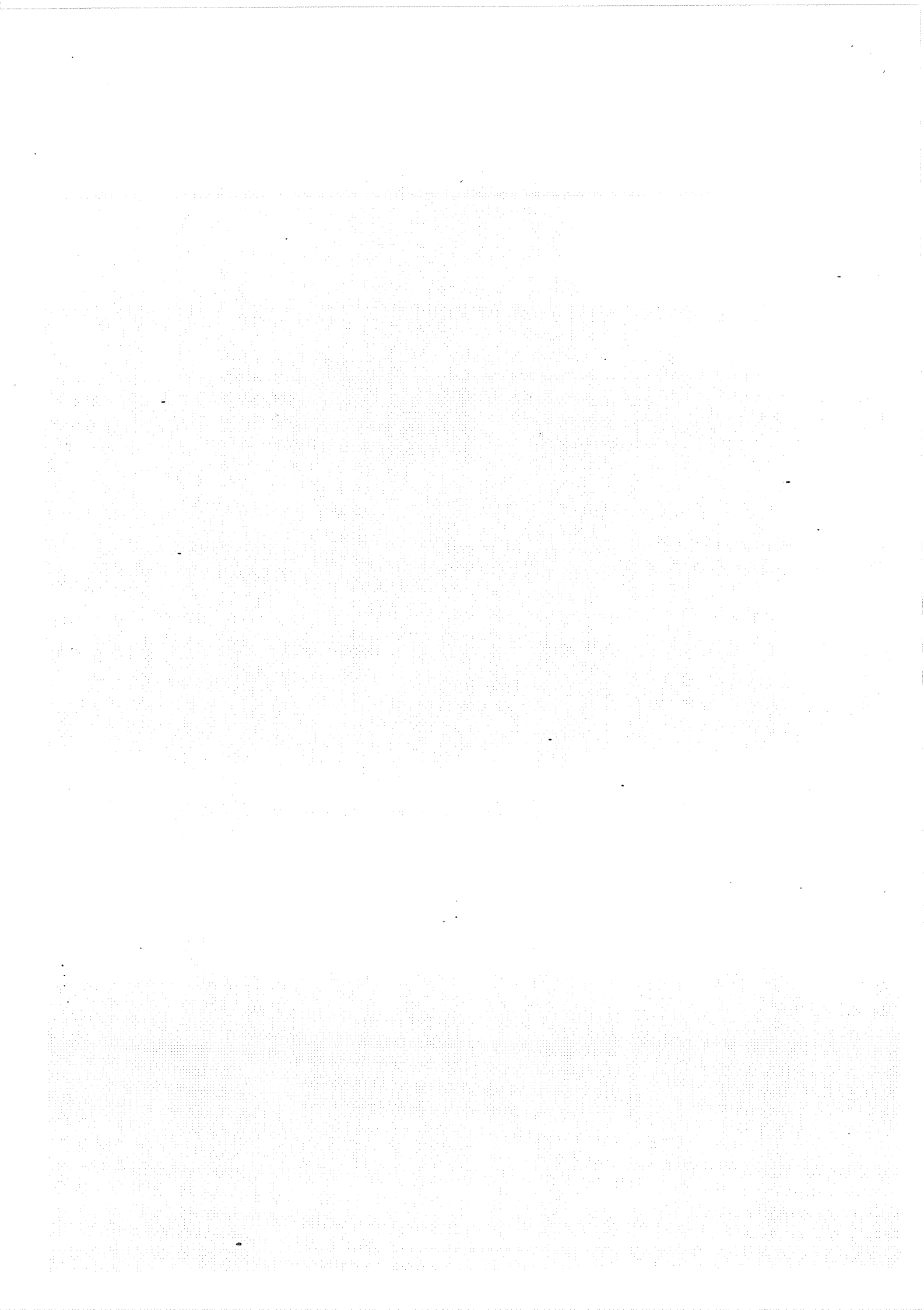
Do not write  
in this space



Ans: \_\_\_\_\_ [4]



END OF PAPER

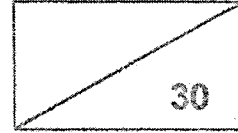


**Catholic High School (Primary)**  
**Primary 5 Mathematics 2022**  
**Weighted Assessment 3**

NAME : \_\_\_\_\_ (     )     DATE : \_\_\_\_\_

CLASS : \_\_\_\_\_

PARENT'S SIGNATURE : \_\_\_\_\_



**Section A**

Questions 1 to 4 carry 2 marks each. For each question, four options are given. Make your choice (1, 2, 3 or 4) and write your choice in the bracket provided. All diagrams are not drawn to scale. (8 marks)

---

1. Find the value of  $48 \div 300$ .

(1) 0.16

(2) 1.44

(3) 1.6

(4) 14.4

(     )

2. There were 800 people at a musical. 63% of the people were children while the rest were adults. How many adults were at the musical?

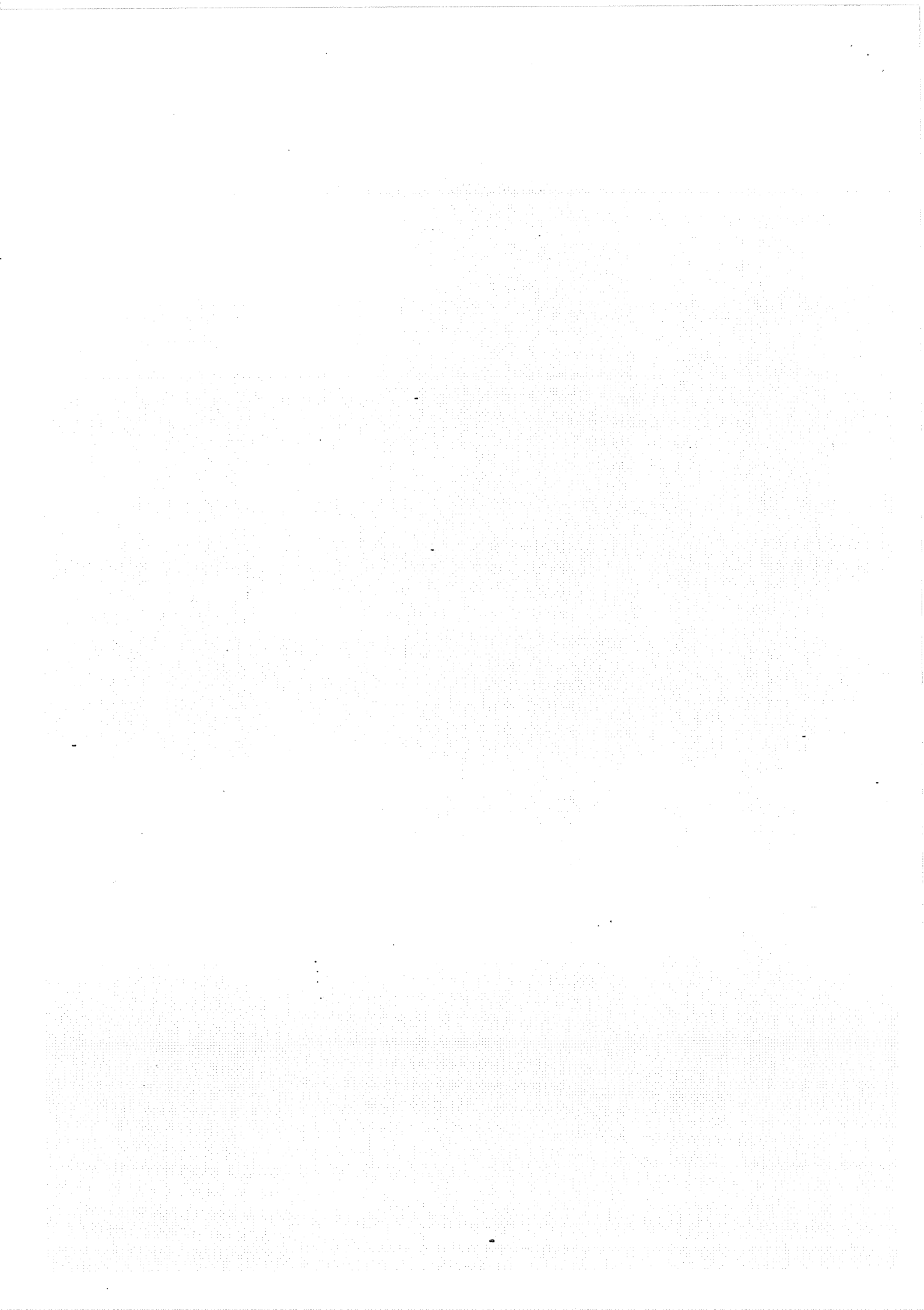
(1) 296

(2) 376

(3) 504

(4) 737

(     )



3. The average of seven numbers is 26. The first number is 14. Find the average of the other six numbers.

- (1) 14
- (2) 28
- (3) 168
- (4) 182

( )

- 
4. The table below shows the rental charges for a pair of roller skates.

First 2 hours	\$16
After the second hour	\$6 per $\frac{1}{2}$ hour or less

Max rented a pair of roller skates from 8.30 a.m. to 11.45 a.m. on the same day. How much did he pay?

- (1) \$22
- (2) \$28
- (3) \$32
- (4) \$34

( )

**Section B**

Questions 5 to 10 carry 2 marks each. Show your working clearly and write your answers in the spaces provided. For questions which require units, give your answers in the units stated. All diagrams are not drawn to scale.

(12 marks)

Do not write  
in this space

5. Jack's family consumed a total of 48.5 kg of rice in November and December. His family consumed 5.1 kg more rice in December than in November. How many kilograms of rice did Jack's family consume in December?

Ans: \_\_\_\_\_ kg

6. An airline company had 500 seats. 350 seats were occupied. What percentage of the seats were occupied?

Ans: \_\_\_\_\_ %

7. The table below shows the number of books read by four girls during the holidays.

Names of Girls	Number of books read
Abigail	8
Bernadette	16
Caroline	0
Denise	24

What was the average number of books read by each girl?

Ans: \_\_\_\_\_

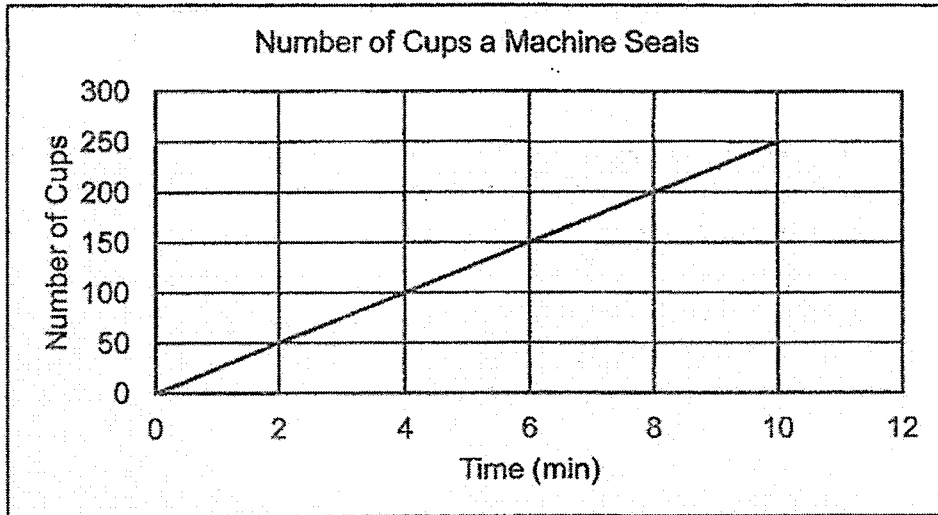
Do not write  
in this space

8. Peter can run 3 km in 20 minutes. At this rate, how many kilometres can he run in 120 minutes?

Ans: \_\_\_\_\_ km

9. The line graph shows the number of cups of bubble tea a machine sealed over ~~five~~ 10 minutes.

Do not write  
in this space



How many cups does the machine seal per minute?

Ans: \_\_\_\_\_

10. The price of a laptop before GST was \$1200. What was the price of the laptop including 7% GST?

Ans: \$ \_\_\_\_\_



**Section C**

Do not write  
in this space

For questions 11 to 13, show your working clearly in the space provided for each question and write your answers in the spaces provided. The number of marks available is shown in brackets [ ] at the end of each question or part-question (10 marks)

11. Mr Fernandez bought some chickens from America, Canada and Brazil. 45% of the chickens were from America, 35% of the chickens were from Brazil and the rest were from Canada. There were 20 fewer chickens from Brazil than America.

(a) What percentage of the chickens were from Canada?

(b) Find the total number of chickens from Canada and Brazil.

Ans: (a) \_\_\_\_\_ [1]

(b) \_\_\_\_\_ [2]

12. Car A had 7800 ml of petrol. Car B had 10.3 l of petrol. When the same amount of petrol was used in each car, the amount of petrol left in Car B was six times of that left in Car A. How much petrol was used in each car? Leave your answer in litres.

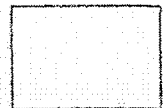
Do not write  
in this space

Ans: \_\_\_\_\_ [3]

13. The total cost of a big sticker and a small sticker is \$1.20. John paid \$10.40 for 9 big stickers and 8 small stickers. Luke bought 9 small stickers. How much did Luke pay for 9 small stickers?

Do not write  
in this space

Ans: \_\_\_\_\_ [4]



END OF PAPER

The Board of Directors of the University of California is pleased to present to you this report on the activities of the Board and the University during the year 1980-1981. The Board has continued its efforts to improve the quality of the University's education and research, and to ensure that the University remains a leader in the field of higher education.

The Board has approved a new five-year plan for the University, which will provide for a steady increase in the number of students and faculty, and for the development of new programs and facilities. The Board has also approved a new system of governance, which will give the faculty a greater role in the management of the University.

The Board has also approved a new system of financial management, which will provide for a more efficient use of the University's resources. The Board has also approved a new system of personnel management, which will provide for a more equitable and effective system of hiring and promotion.

The Board has also approved a new system of academic management, which will provide for a more effective system of curriculum development and evaluation. The Board has also approved a new system of research management, which will provide for a more effective system of research funding and administration.

The Board has also approved a new system of public relations, which will provide for a more effective system of communication with the public. The Board has also approved a new system of international relations, which will provide for a more effective system of cooperation with other universities and governments.

The Board has also approved a new system of environmental management, which will provide for a more effective system of protection of the University's natural resources. The Board has also approved a new system of energy management, which will provide for a more effective system of energy conservation and use.

The Board has also approved a new system of health and safety management, which will provide for a more effective system of protection of the health and safety of the University's students and faculty. The Board has also approved a new system of legal management, which will provide for a more effective system of legal representation of the University.

The Board has also approved a new system of information management, which will provide for a more effective system of collection, storage, and retrieval of information. The Board has also approved a new system of computing management, which will provide for a more effective system of computer hardware and software.

The Board has also approved a new system of library management, which will provide for a more effective system of collection, storage, and retrieval of books and other materials. The Board has also approved a new system of museum management, which will provide for a more effective system of collection, storage, and display of artifacts.

The Board has also approved a new system of archival management, which will provide for a more effective system of collection, storage, and retrieval of records. The Board has also approved a new system of historical management, which will provide for a more effective system of research and interpretation of the University's history.

The Board has also approved a new system of cultural management, which will provide for a more effective system of support and promotion of the University's cultural activities. The Board has also approved a new system of artistic management, which will provide for a more effective system of support and promotion of the University's artistic activities.

The Board has also approved a new system of athletic management, which will provide for a more effective system of support and promotion of the University's athletic activities. The Board has also approved a new system of recreational management, which will provide for a more effective system of support and promotion of the University's recreational activities.

The Board has also approved a new system of student management, which will provide for a more effective system of support and promotion of the University's students. The Board has also approved a new system of faculty management, which will provide for a more effective system of support and promotion of the University's faculty.

The Board has also approved a new system of administrative management, which will provide for a more effective system of support and promotion of the University's administrative activities. The Board has also approved a new system of financial management, which will provide for a more effective system of support and promotion of the University's financial activities.

The Board has also approved a new system of legal management, which will provide for a more effective system of support and promotion of the University's legal activities. The Board has also approved a new system of information management, which will provide for a more effective system of support and promotion of the University's information activities.

The Board has also approved a new system of computing management, which will provide for a more effective system of support and promotion of the University's computing activities. The Board has also approved a new system of library management, which will provide for a more effective system of support and promotion of the University's library activities.

The Board has also approved a new system of museum management, which will provide for a more effective system of support and promotion of the University's museum activities. The Board has also approved a new system of archival management, which will provide for a more effective system of support and promotion of the University's archival activities.

The Board has also approved a new system of historical management, which will provide for a more effective system of support and promotion of the University's historical activities. The Board has also approved a new system of cultural management, which will provide for a more effective system of support and promotion of the University's cultural activities.

The Board has also approved a new system of artistic management, which will provide for a more effective system of support and promotion of the University's artistic activities. The Board has also approved a new system of athletic management, which will provide for a more effective system of support and promotion of the University's athletic activities.

## ANSWER KEY

YEAR : 2022

LEVEL : PRIMARY 5


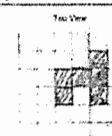
SCHOOL : CATHOLIC HIGH SCHOOL (Primary)

SUBJECT : MATHEMATICS

TERM : WA2 & WA3

### WA2

Q1	3	Q2	1	Q3	2	Q4	3
----	---	----	---	----	---	----	---

Q5	$84 \div 7 = 12$  <div style="text-align: right;">Ans : 12</div>	Q6	$4 \times 2 = 8$ $8 \times 8 \times 4 = 256$  <div style="text-align: right;">Ans : 256</div>
Q7	$80 \div 8 = 10$ $30 \times 10 = 300$ $300 \div 2 = 150$  <div style="text-align: right;">Ans : 150</div>	Q8	$48 \div 4 = 12$ $12 \times 14 = 168$  <div style="text-align: right;">Ans : 168</div>
Q9	(a) True (b) False	Q10	<div style="display: flex; justify-content: space-around; align-items: center;"> <div style="text-align: center;"> <small>Side View</small>   </div> <div style="text-align: center;"> <small>Top View</small>   </div> </div>
Q11	$9 \times 9 = 81$ $15 - 9 = 6$ $\frac{1}{2} \times 6 \times 9 = 27$ $27 + 81 = 108$  <div style="text-align: right;">Ans : 108cm<sup>2</sup></div>	Q12	$384 \div 8 = 48$ $48 \times 5 = 240$  <div style="text-align: right;">Ans : \$240</div>
Q13	$9 \times 7 = 63$ $2 \times \frac{1}{2} \times 4 \times 7 = 28$ $63 - 28 - 5 = 40$  <div style="text-align: right;">Ans : 40cm<sup>2</sup></div>		

### WA3

Q1	1	Q2	1	Q3	2	Q4	4
----	---	----	---	----	---	----	---

Q5	$48.5 - 5.1 = 43.4$ $43.4 \div 2 = 21.7$ $21.7 + 5.1 = 26.8$  Ans : 26.8	Q6	$500 \div 100 = 5$ $350 \div 5 = 70$  Ans : 70
Q7	$24 + 16 + 8 + 0 = 48$ $48 \div 4 = 12$  Ans : 12	Q8	$120 \div 20 = 6$ $3 \times 6 = 18$  Ans : 18
Q9	$250 \div 10 = 25$   Ans : 25	Q10	$1200 \div 100 = 12$ $12 \times 7 = 84$ $1200 + 84 = 1284$  Ans : 1284
Q11	(a) $100 - 45 - 35 = 20$ (b) $45 - 35 = 10$ $20 \div 10 = 2$ $55 \times 2 = 110$  Ans : (a) 20% (b) 110	Q12	$10.3 - 7.8 = 2.5$ $2.5 \div 5 = 0.5$ $7.8 - 0.5 = 7.3$  Ans : 7.3L
Q13	$1.20 \times 9 = 10.80$ $10.80 - 10.40 = 0.40$ $0.40 \times 9 = 3.60$  Ans : \$3.60		