

# Anglo-Chinese School (Junior)



## SEMESTRAL ASSESSMENT (2022)

### PRIMARY 5 MATHEMATICS PAPER 1 Booklet A

Tuesday

1 November 2022

1 h

Name: \_\_\_\_\_ ( ) Class: 5.( )

#### INSTRUCTIONS TO PUPILS

- 1 Do not turn over the pages until you are told to do so.
- 2 Follow all instructions carefully.
- 3 Answer ALL questions.
- 4 Shade your answers in the Optical Answer Sheet (OAS) provided.
- 5 You are not allowed to use a calculator for this paper.



Questions 1 to 10 carry 1 mark each. Questions 11 to 15 carry 2 marks each.  
For each question, four options are given. One of them is the correct answer. Make your choice (1, 2, 3 or 4). Shade the correct oval (1, 2, 3 or 4) on the Optical Answer Sheet (OAS).  

---

**(20 marks)**

1. Find the value of  $28 \times 7000$ .

- (1) 196
- (2) 1960
- (3) 19 600
- (4) 196 000

2. Find the value of  $300 + 100 + 5 - 12 \times 5$ .

- (1) 20
- (2) 260
- (3) 340
- (4) 1540

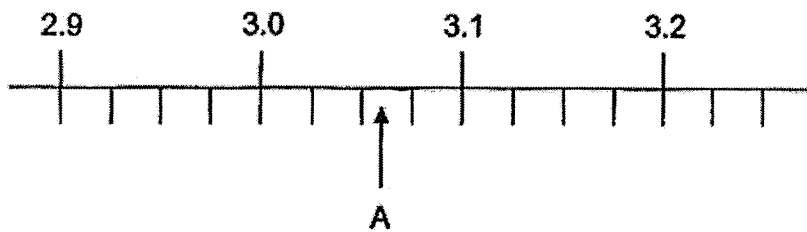
3. Express  $3\frac{5}{8}$  as a decimal.

- (1) 3.58
- (2) 3.85
- (3) 3.125
- (4) 3.625

4. Which digit in 23.479 is in the tenths place?

- (1) 7
- (2) 2
- (3) 9
- (4) 4

5. Part of a scale is shown below. What is the most likely value of the reading at A?



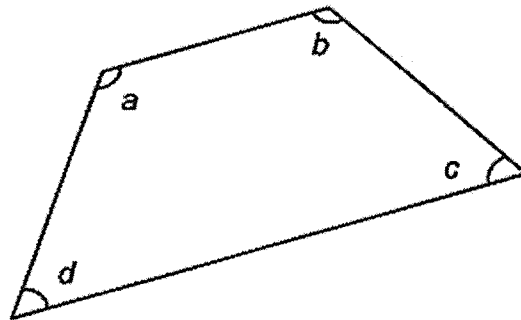
- (1) 3.6  
(2) 3.4  
(3) 3.06  
(4) 3.04
6. Express 8.07 ℓ in litres and millilitres.
- (1) 8 ℓ 7 ml  
(2) 8 ℓ 70 ml  
(3) 80 ℓ 7 ml  
(4) 80 ℓ 70 ml
7. Shaun had 11 kg of rice. He had 6 times as much rice as Pete. How much rice did Pete have at first?
- (1)  $\frac{6}{11}$  kg  
(2)  $\frac{5}{11}$  kg  
(3)  $1\frac{5}{6}$  kg  
(4)  $2\frac{1}{5}$  kg

8. The table below shows the number of goals scored by the soccer teams.

Number of goals	0	1	2	3	4
Number of teams	4	3	5	5	3

How many goals did all the teams score altogether?

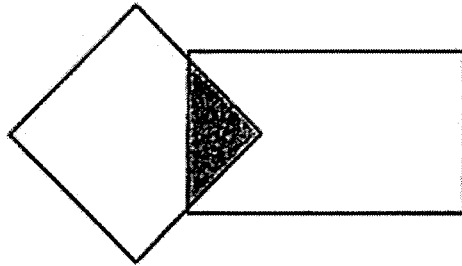
- (1) 10  
(2) 20  
(3) 40  
(4) 44
9. The figure below shows a trapezium. Which one of the following is correct?



- (1)  $\angle a = \angle c$   
(2)  $\angle b = \angle c$   
(3)  $\angle c + \angle d = 180^\circ$   
(4)  $\angle a + \angle d = 180^\circ$
10. There were 96 vehicles in the carpark. 72 were cars and the rest were motorcycles. What was the ratio of the number of cars to the number of motorcycles?
- (1) 1 : 3  
(2) 1 : 4  
(3) 3 : 1  
(4) 3 : 4

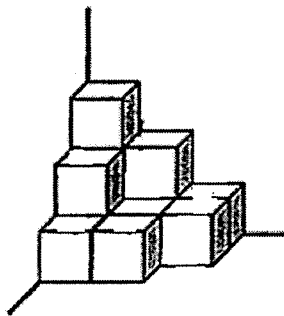
11. The figure below is made up of a rectangle and a square.  
 $\frac{2}{9}$  of the square is shaded and  $\frac{1}{6}$  of the rectangle is shaded.

What fraction of the figure is shaded?



- (1)  $\frac{4}{21}$   
 (2)  $\frac{2}{21}$   
 (3)  $\frac{2}{19}$   
 (4)  $\frac{7}{18}$

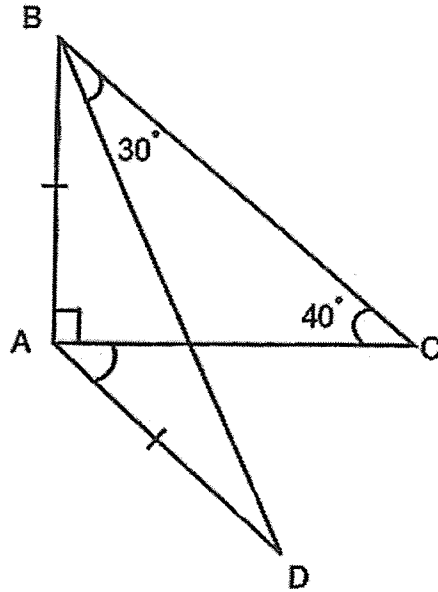
12. The solid figure below is made up of unit cubes.



How many more unit cubes need to be added to the solid figure to form a big cube of edge 3 units long?

- (1) 12  
 (2) 13  
 (3) 14  
 (4) 15

13. In the figure below, not drawn to scale, ABC is a right-angled triangle and ABD is an isosceles triangle.  $\angle CBD = 30^\circ$  and  $\angle ACB = 40^\circ$ . Find  $\angle CAD$ .



- (1)  $20^\circ$   
(2)  $30^\circ$   
(3)  $40^\circ$   
(4)  $50^\circ$
14. The total mass of 3 similar pens and 5 similar pencils is 0.175 kg. Each pen weighs 5 g heavier than each pencil. Find the mass of one such pen.
- (1) 0.015 kg  
(2) 0.02 kg  
(3) 0.025 kg  
(4) 0.032 kg

15. Machine A can print 80 sheets of paper in 40 seconds. Machine B can print 30 sheets of paper in 20 seconds. Jake started both machines at the same time. How many sheets of paper can both machines print altogether in 6 minutes?

- (1) 110
- (2) 660
- (3) 1260
- (4) 2100

**END OF BOOKLET A**



# Anglo-Chinese School (Junior)



## SEMESTRAL ASSESSMENT (2022)

### PRIMARY 5

### MATHEMATICS

### PAPER 1

### Booklet B

Tuesday

1 November 2022

1 h

Name: \_\_\_\_\_ ( ) Class: 5 ( )

#### INSTRUCTIONS TO PUPILS

1. Do not turn over the pages until you are told to do so.
2. Follow all instructions carefully.
3. Answer ALL questions.
4. Use a dark blue or black ballpoint pen to write your answers in the space provided for each question.
5. Do not use correction fluid/tape or highlighter.
6. The use of calculators is **NOT** allowed.

---

This question paper consists of 8 printed pages (inclusive of cover page).



Questions 16 to 20 carry 1 mark each. Write your answers in the spaces provided. For questions which require units, give your answers to the units stated. (10 marks)

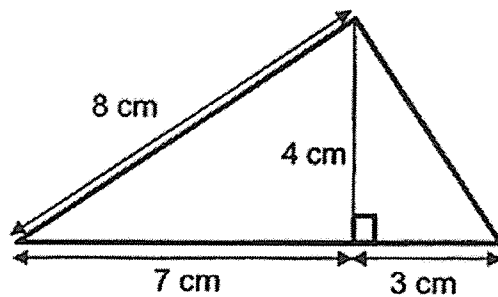
16. Round 13 954 to the nearest hundred.

Ans: \_\_\_\_\_

17. How many tenths are there in  $7\frac{3}{5}$ ?

Ans: \_\_\_\_\_

18. Find the area of the triangle below.



Ans: \_\_\_\_\_ cm<sup>2</sup>

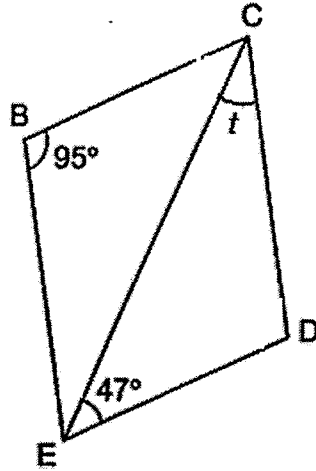
B2

Sub-Total :

Please do not write in the margin.

Please do not write in the margin.

19. In the figure, BCDE is a parallelogram. Find  $\angle t$ .



Ans: \_\_\_\_\_ $^\circ$

20. What is 2% of 80?

Ans: \_\_\_\_\_

B3

Sub-Total :

Please do not write in the margin.

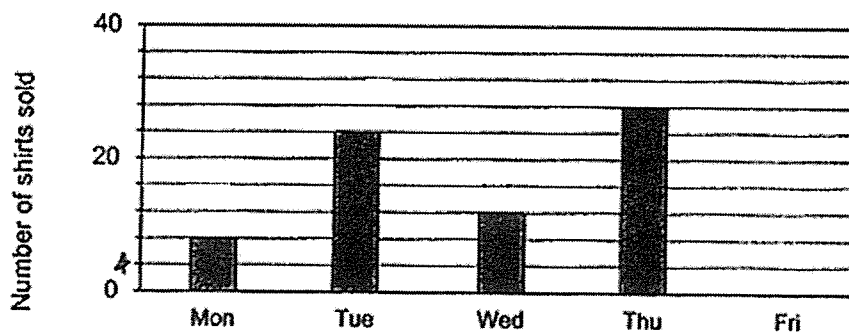
Please do not write in the margin.

Questions 21 to 30 carry 2 marks each. Show your working clearly and write your answers in the spaces provided. For questions which requires units, give your answers in the units stated. (20 marks)

21. A container with 20 identical marbles has a mass of 1.4 kg. The mass of the same container with 120 identical marbles is 1.8 kg. Find the mass of one marble. Leave your answer in kilograms.

Ans: \_\_\_\_\_ kg

22. Mr Siah had some shirts and he sold all his shirts by Friday. The table shows the number of shirts sold by him from Monday to Friday. The bar for Friday was not drawn.



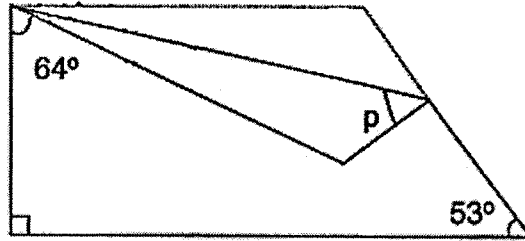
Mr Siah sold  $\frac{3}{5}$  of the shirts from Monday to Thursday. How many shirts did he sell on Friday?

Ans: \_\_\_\_\_

Please do not write in the margin.

Please do not write in the margin.

23. A piece of paper in the shape of a trapezium is folded as shown below. Find  $\angle p$ .



Please do not write in the margin.

Please do not write in the margin.

Ans: \_\_\_\_\_

24. XYZ Bank offered an interest rate of 3% per year. Andrea set up a new account with XYZ Bank and deposited \$5200. How much money would Andrea have in the bank at the end of 1 year?

Ans: \$ \_\_\_\_\_

25. Books were arranged in shelves. There were 12 books in each shelf except for 3 shelves which were empty. John rearranged the books so that all the shelves had 10 books each. How many shelves had books at first?

Please do not write in the margin.

Please do not write in the margin.

Ans: \_\_\_\_\_

26. Two numbers add up to 3909. One of them is a 3- digit number and the other number is a 4- digit number, what is the smallest possible difference between the two numbers?

Ans: \_\_\_\_\_

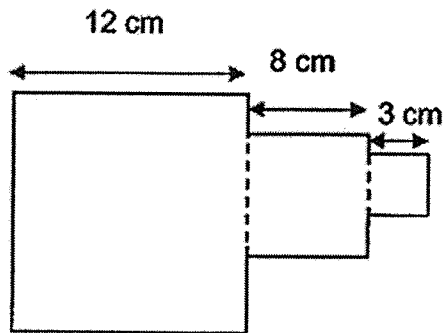
Please do not write in the margin.

Please do not write in the margin

27. Matthew donated  $\frac{3}{10}$  of his salary to charity and gave  $\frac{1}{5}$  of his salary to his parents. He spent  $\frac{1}{6}$  of his remaining salary and saved the rest. What fraction of his salary did he save? Give your answer in the simplest form.

Ans: \_\_\_\_\_

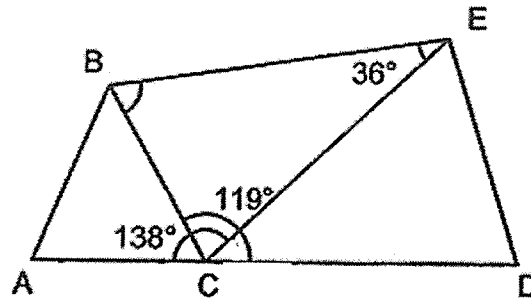
28. The figure below is made up of three squares. Find its perimeter.



Ans: \_\_\_\_\_ cm



29. The figure below is made up of 3 triangles ABC, BCE and ECD. ACD is a straight line.  $\angle BEC = 36^\circ$ ,  $\angle ACE = 138^\circ$  and  $\angle DCB = 119^\circ$ . Find  $\angle EBC$ .



Ans: \_\_\_\_\_°

30. The table below shows the postage rates for mailing parcels to Malaysia.

Mass Step Not Over	Postage Charge
4 kg	\$3 per kg
Per additional step of 500 g or part thereof	\$2

Dhamiri paid \$18 to send a parcel to his friend in Malaysia. What was the smallest possible mass of the parcel sent by Dhamiri? Give your answer in grams

Ans: \_\_\_\_\_ g

End of Booklet B



# Anglo-Chinese School (Junior)



## SEMESTRAL ASSESSMENT (2022)

### PRIMARY 5 MATHEMATICS PAPER 2

Tuesday

1 November 2022

1 h 30 min

Name: \_\_\_\_\_ ( ) Class: 5.( )

Parent's Signature: \_\_\_\_\_

#### INSTRUCTIONS TO PUPILS

1. Do not turn over the pages until you are told to do so.
2. Follow all instructions carefully.
3. Answer ALL questions.
4. Use a dark blue or black ballpoint pen to write your answers in the space provided for each question.
5. Do not use correction fluid/tape or highlighter.
6. The use of an approved calculator is allowed.

Paper	Booklet	Possible Marks	Marks Obtained
1	A	20	
	B	25	
2		55	
Total		100	

This question paper consists of 15 printed pages (inclusive of cover page).



Questions 1 to 5 carry 2 marks each. Show your working clearly and write your answers in the spaces provided. For questions which require units, give your answers in the units stated. (10 marks)

1. Mandy had twice as many books as Rose. She gave 73 books to Rose. After that, Mandy had 154 books more than Rose. How many books did Mandy have at first?

Ans : \_\_\_\_\_

2. The height of a young plant was 48 cm. It grew an average of 0.12m every month. What was the height of the young plant after 1 year? Give your answer in metres.

Ans : \_\_\_\_\_ m

Please do not write in the margin.

Please do not write in the margin.

3. The table shows the fare rates of a taxi service.

Distance travelled	Rate
First 1 km or less	\$4.20
Every 500 m thereafter or less up to 10 km	\$0.50
Every 500 m thereafter or less after 10 km	\$0.30

Zaiyn boarded a taxi from Newton to Seletar. The total distance travelled was 14 km. How much was Zaiyn's taxi fare?

Please do not write in the margin.

Ans : \$ \_\_\_\_\_

4. Daisy had some red and blue buttons.  $\frac{3}{4}$  of her buttons were blue and the rest were red. She then bought 90 red buttons. In the end,  $\frac{1}{3}$  of all her buttons were blue. How many buttons did Daisy have at first?

Ans : \_\_\_\_\_

5. The table shows the length of four ribbons.

Ribbon	A	B	C	D
Length (cm)	11.3	6.5	?	?

The average length of the 4 ribbons is 9.6 cm.

Write down one possible set of lengths for Ribbon C and Ribbon D.

Please do not write in the margin.

Ans : Ribbon C: \_\_\_\_\_ cm

Ribbon D: \_\_\_\_\_ cm

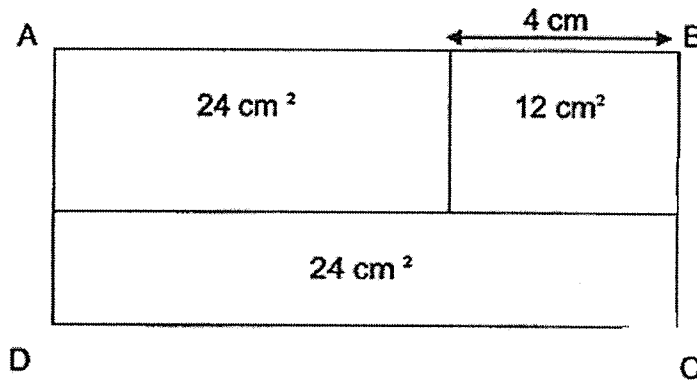
Please do not write in the margin.

For questions 6 to 17, show your working clearly and write your answers in the spaces provided. The number of marks available is shown in brackets [ ] at the end of each question or part-question. (45 marks)

6. Mable had 35 red beads and 185 yellow beads. She gave away 20 yellow beads. What percentage of the remaining beads were red?

Ans : \_\_\_\_\_ [3]

7. In the figure below, rectangle ABCD is made up of 3 rectangles. The area of each rectangle is stated in each rectangle. Find the perimeter of rectangle ABCD.



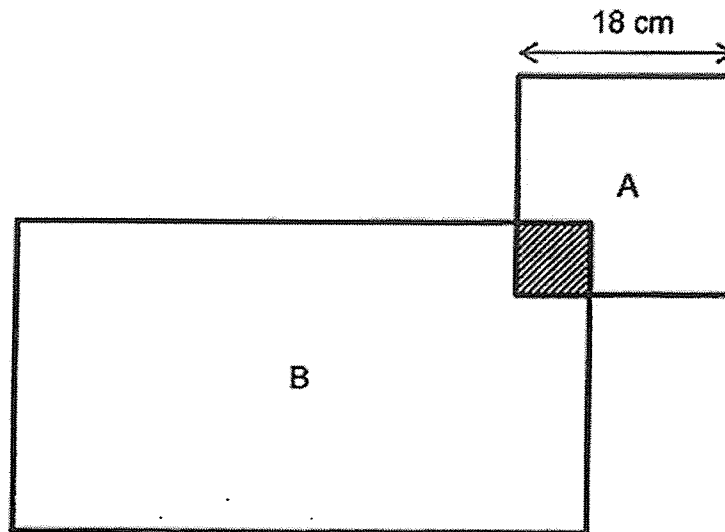
Ans : \_\_\_\_\_ [3]

Please do not write in the margin.

Please do not write in the margin.



8. Square A and Rectangle B overlap each other as shown in the figure below. The length of the Square A is 18 cm. The area of Rectangle B is 3 times the area of Square A.



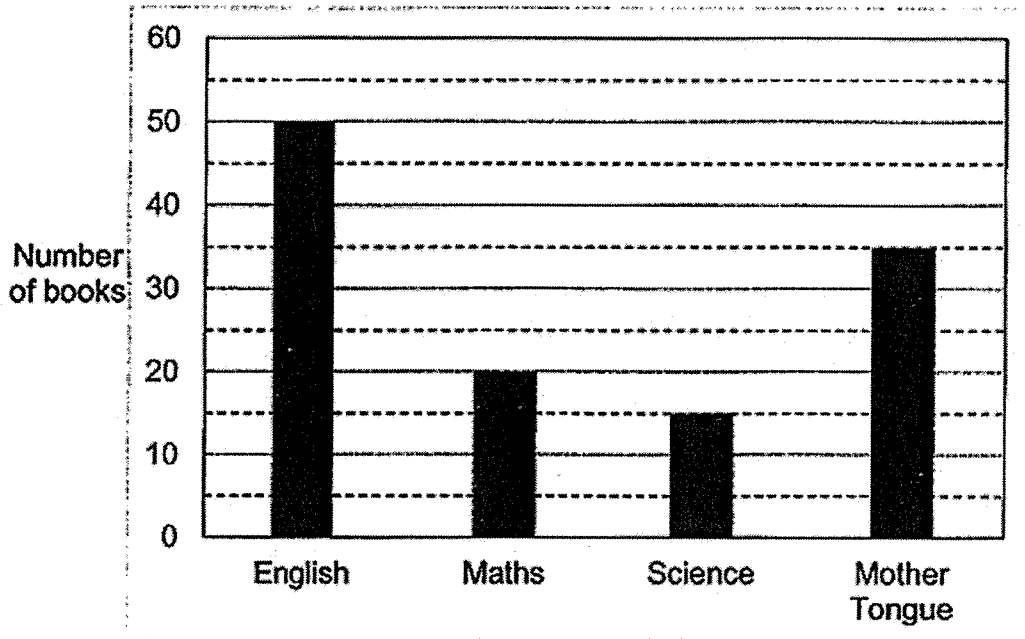
- (a) What is the area of Rectangle B?

Ans : (a) \_\_\_\_\_ [2]

- (b) The ratio of the shaded area to the unshaded area of Square A is 1 : 8. What is the unshaded area of Rectangle B?

Ans: (b) \_\_\_\_\_ [2]

9. Books in a class library are grouped according to the following four subjects: English, Maths, Science and Mother Tongue. The bar graph below shows the number of books of each subject in the class library.



Please do not write in the margin.

Please do not write in the margin.

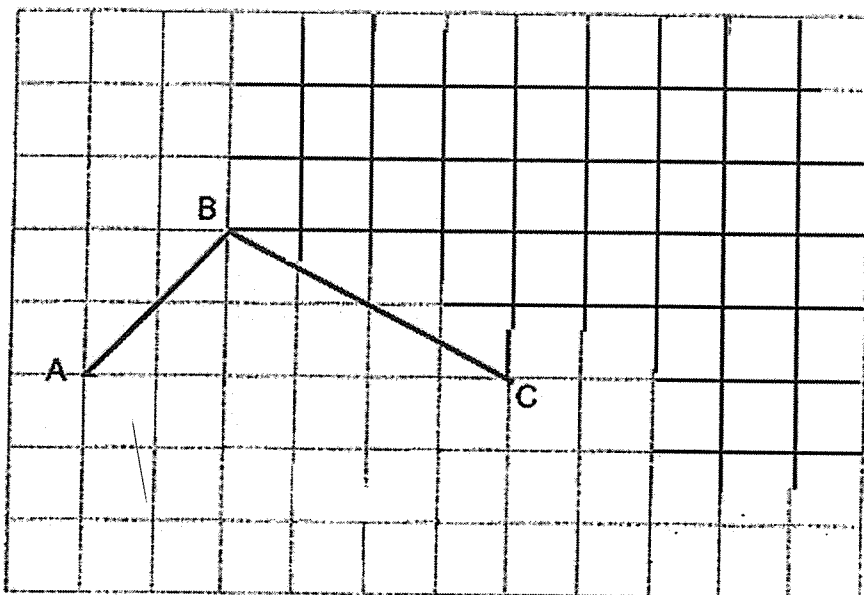
- (a) What fraction of books in the class library was of the English? Give your answer in the simplest form.

Ans : (a) \_\_\_\_\_ [1]

- (b) There were 35 students in the class. Every student in the class took 3 or 4 books home to read over the school holidays. No book was left in the classroom. How many students took 4 books home?

Ans : (b) \_\_\_\_\_ [2]

10. In the square grid below, two sides of a parallelogram ABCD had been drawn.



Please do not write in the margin.

Please do not write in the margin.

- (a) Complete the drawing of parallelogram ABCD. [1]
- (b) BC also forms one side of a triangle CBE in which  $CB = BE$  and all angles in triangle CBE are acute angles. Complete the drawing of triangle CBE within the square grid. [1]
- (c) What is the ratio of the area of triangle CBE to the area of parallelogram ABCD? Give your answer in the simplest form.

Ans : (c) \_\_\_\_\_ [1]

--

- 11. In July, Raees, Leon and James saved a total of \$1200. In August, Raees doubled his savings, Leon decreased his savings by \$160 and James increased his savings by \$110. Their savings were the same in August. What was Raees' savings in August?

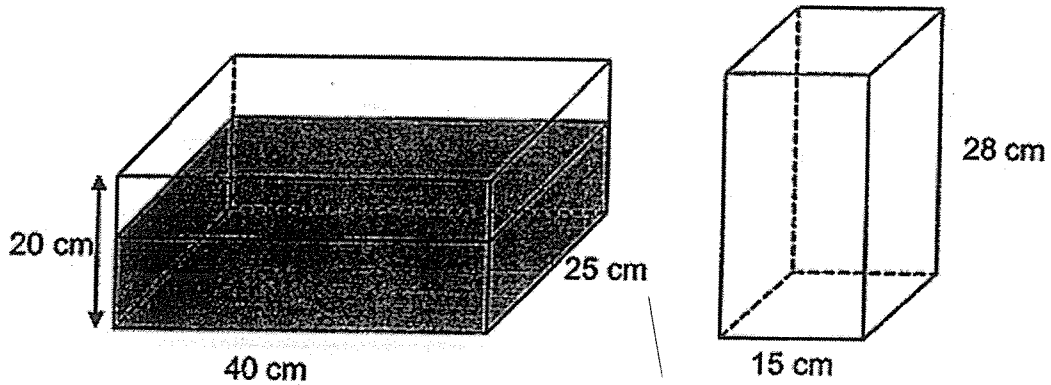
Please do not write in the margin.

Please do not write in the margin.

Ans : \_\_\_\_\_ [3]

Sub-Total :

12. A rectangular tank measuring 40 cm long, 25 cm wide and 20 cm high was  $\frac{3}{5}$ -filled with water. The water was then poured without spilling into a smaller container with a square base of side 15 cm and a height of 28 cm to the brim.



- (a) How much water was in the rectangular tank at first?

Ans: (a) \_\_\_\_\_ [2]

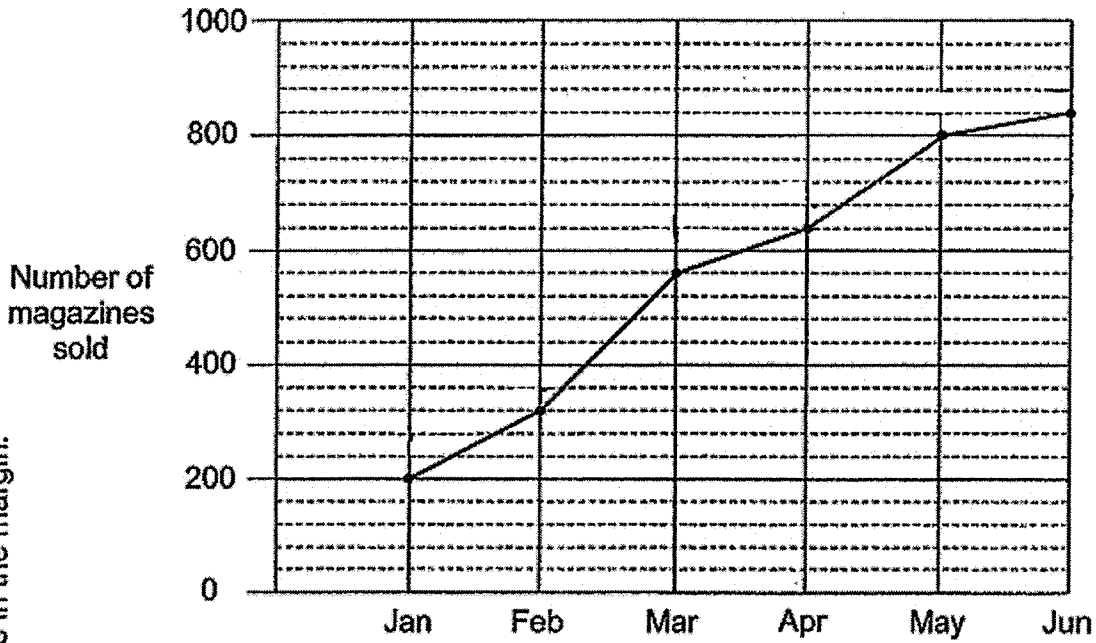
- (b) How much water is left in the rectangular tank? Give your answer in litres.

Ans: (b) \_\_\_\_\_ [2]

Please do not write in the margin.

Please do not write in the margin.

13. The graph below shows the number of magazines sold each month by a new publishing company from January to June.



Please do not write in the margin.

Please do not write in the margin.

- (a) What fraction of the total number of magazines sold from January to June was sold in June? Give your answer in the simplest form.

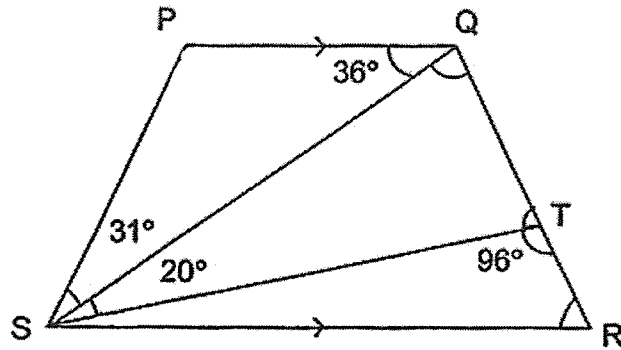
Ans : (a) \_\_\_\_\_ [2]

- (b) Each magazine was sold at \$9.50. What was the average amount the company collected from selling the magazines from January to June?

Ans : (b) \_\_\_\_\_ [2]

--

14. Trapezium PQRS is made up of 3 triangles PQS, QST and RST.  
 $\angle PSQ = 31^\circ$ ,  $\angle PQS = 36^\circ$ ,  $\angle QST = 20^\circ$  and  $\angle STR = 96^\circ$ .



- (a) Find  $\angle SQT$ .

Ans : (a) \_\_\_\_\_ [2]

- (b) Find  $\angle SRT$ .

Ans : (b) \_\_\_\_\_ [2]

Please do not write in the margin.

Please do not write in the margin.

15. A packet of sugar weighs 1.6 kg. A packet of rice weighs 1.8 kg more than a packet of sugar. A shopkeeper has 24 more packets of sugar than rice. How many packets of sugar does he have if the total mass of sugar and rice is 278.4 kg?

Please do not write in the margin.

Please do not write in the margin.

Ans : \_\_\_\_\_ [4]



16. Mrs Koh had a piece of ribbon. She used  $\frac{2}{5}$  of it to tie 2 small boxes and 2 large boxes. The length of ribbon needed to tie one large box was  $3\frac{5}{6}$  times the length of ribbon needed to tie one small box. Mrs Koh used  $\frac{5}{6}$  of the remaining ribbon to decorate some presents.

(a) What fraction of the ribbon did Mrs Koh use to tie one small box?

Ans : (a) \_\_\_\_\_ [1]

- (b) The length of ribbon used for decorating the presents was 7.65 m longer than the length of ribbon used to tie one small box. What was the length of ribbon Mrs Koh have at first?

Ans: (b) \_\_\_\_\_ [4]

Please do not write in the margin.

Please do not write in the margin.

17. Some white and grey identical 6-sided shapes known as hexagons were used to form figures that follow a pattern. The first 4 figures are shown.

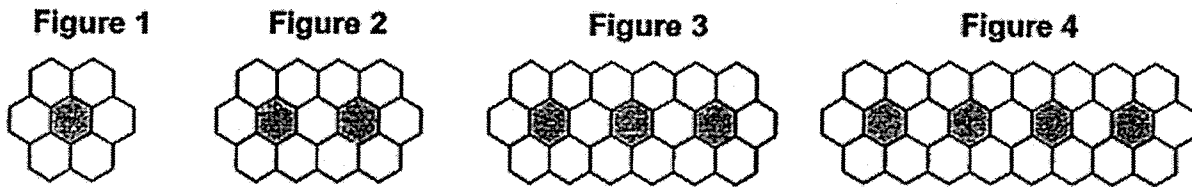


Figure Number	1	2	3	4	5	6
Number of grey hexagon	1	2	3	4	5	6
Number of white hexagon	6	11	16	21	_____	_____

[1]

- (a) Fill in the table for Figures 5 and 6.
- (b) What is the total number of grey and white hexagons for figure 100?

Ans :(b) \_\_\_\_\_ [2]

- (c) A figure in the pattern has 321 white hexagons. What fraction of the hexagons in this figure are grey?

Ans :(c) \_\_\_\_\_ [2]

End of Paper 2

Please do not write in the margin.

Please do not write in the margin.

--

SCHOOL : ANGLO-CHINESE SCHOOL (JUNIOR)  
LEVEL : PRIMARY 5  
SUBJECT : MATH  
PAPER : 2022 SA2

**PAPER 1 BOOKLET A**

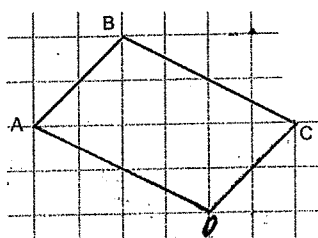
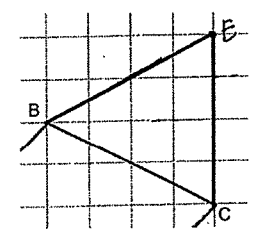
Q1	Q2	Q3	Q4	Q5	Q6	Q7	Q8	Q9	Q10
4	2	4	4	3	2	3	3	4	3

Q11	Q12	Q13	Q14	Q15
3	4	4	3	3

**PAPER 1 BOOKLET B**

Q16)	14000
Q17)	76
Q18)	20 cm <sup>2</sup>
Q19)	38°
Q20)	1.6
Q21)	0.004 kg
Q22)	48
Q23)	40°
Q24)	\$5356
Q25)	15
Q26)	1911
Q27)	$\frac{5}{12}$
Q28)	70 cm
Q29)	67°
Q30)	5001 g

**PAPER 2**

Q1)	$1u \rightarrow 154 + 73 + 73 = 300$ $2u \rightarrow 300 \times 2 = \underline{600}$
Q2)	$(0.12 \times 12) + 0.48 = \underline{1.92 \text{ m}}$
Q3)	$\$4.20 + (18 \times \$0.50) + (8 \times \$0.30) = \underline{\$15.60}$
Q4)	$5u \rightarrow 90$ $1u \rightarrow 18$ $4u \rightarrow 18 \times 4 = \underline{72}$
Q5)	$9.6 \times 4 = 38.4$ $11.3 + 6.5 = 17.8$ Sum of C and D $\rightarrow 38.4 - 17.8 = 20.6 \text{ cm}$ <b>Ans: Any 2 values that add up to 20.6 cm</b>
Q6)	$185 - 20 = 165$ $165 + 35 = 200$ $\frac{35}{200} \times 100\% = \underline{17.5\%}$
Q7)	<u>34 cm</u>
Q8)	a) $18 \times 18 = 324$ $324 \times 3 = \underline{972 \text{ cm}^3}$
	b) $9u \rightarrow 324$ $1u \rightarrow 36$ $972 - 36 = \underline{936 \text{ cm}^2}$
Q9)	a) $\frac{5}{12}$
	b) Assume all students took 3 books home, $35 \times 3 = 105$ $120 - 105 = 15$ $4 - 3 = 1$ $15 \div 1 = \underline{15}$
Q10)	a) 
	b) 
	c) <u>2 : 3</u>
Q11)	$5u + \$160 - \$110 \rightarrow \$1200$

	$5u \rightarrow \$1150$ $1u \rightarrow \$230$ $2u \rightarrow \underline{\$460}$
Q12)	a) $\frac{3}{5} \times 40 \times 25 \times 20 = 12000 \text{ cm}^3$
	b) $15 \times 15 \times 28 = 6300$ $12000 - 6300 = 5700 \text{ cm}^3$ $5700 \text{ cm}^3 = 5.7 \text{ l}$
Q13)	a) $\frac{1}{4}$
	b) $\$9.50 \times 3360 = \$31920$ $\$31920 \div 6 = \underline{\$5320}$
Q14)	a) $180^\circ - 96^\circ = 84^\circ$ $180^\circ - 20^\circ - 84^\circ = \underline{76^\circ}$
	b) $180^\circ - 76^\circ - 36^\circ = \underline{68^\circ}$
Q15)	$1.6 \times 24 = 38.4$ $278.4 - 38.4 = 240$ $1.6 + 1.6 + 1.8 = 5$ $240 \div 5 = 48$ $48 + 24 = \underline{72}$
Q16)	a) $\frac{2}{5} \div 8 = \frac{1}{20}$
	b) $\frac{5}{6} \times \frac{3}{5} = \frac{1}{2}$ $\frac{1}{2} - \frac{1}{20} = \frac{9}{20}$ $9u \rightarrow 7.65$ $1u \rightarrow 0.85$ $20u \rightarrow \underline{17m}$
Q17)	a) <u>26, 31</u> b) $100 + (100 \times 5 + 1) = \underline{601}$ c) $321 - 1 = 320$ $64 \div 5 = 64$ $64 + 321 = 385$ Ans: $\frac{64}{385}$

