



**Maha Bodhi School**  
**2022 Topical Review 1**  
**Primary 2 Mathematics**

Name: \_\_\_\_\_ ( ) Parent's signature: \_\_\_\_\_

Class: Primary 2 \_\_\_\_\_ Date: \_\_\_\_\_

---

**Section A: Multiple Choice Questions**

Fill in the correct option 1, 2, 3 or 4 in the brackets provided.

1. In 827, the digit 8 stands for

- (1) 800
- (2) 100
- (3) 80
- (4) 8 ( )

2.  $340 + 62 =$  \_\_\_\_\_

- (1) 278
- (2) 302
- (3) 402
- (4) 960 ( )

3. 10 less than 209 is \_\_\_\_\_

(1) 109

(2) 199

(3) 208

(4) 219

( )

4. Complete the number pattern below.

53, 56, \_\_\_\_\_, 62, 65, 68

(1) 57

(2) 58

(3) 59

(4) 60

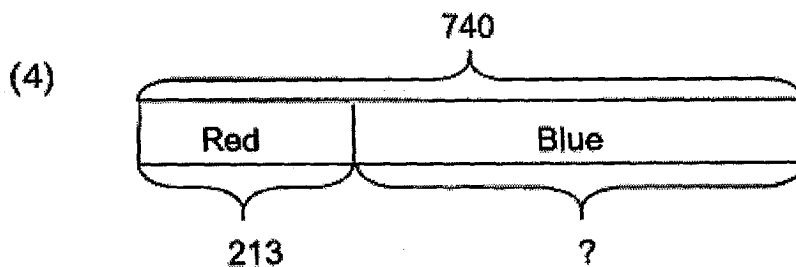
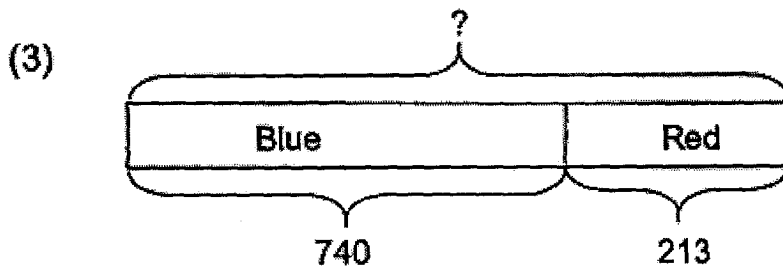
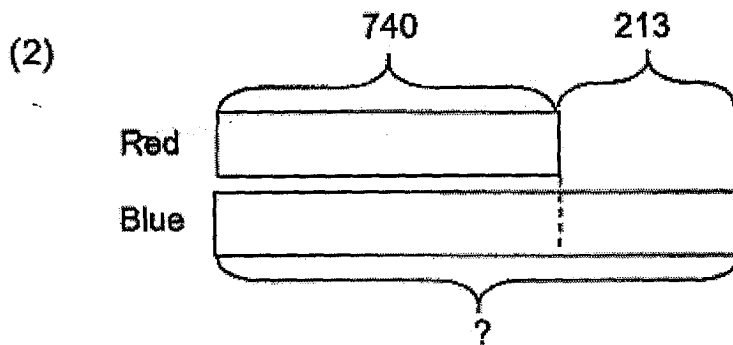
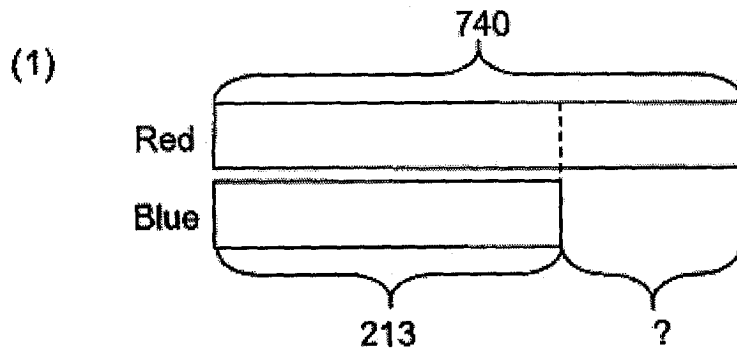
( )

5. There are 740 red and blue balls altogether.

There are 213 red balls.

How many blue balls are there?

Which one of the following models is correct for the question above?



( )

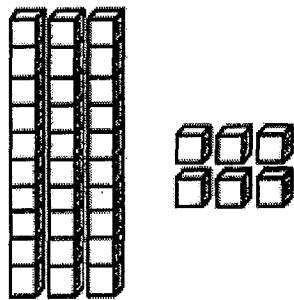
**Section B: Short Answer Questions**

Write your answers in the spaces provided.

6. Write the following number in words.

|     |  |
|-----|--|
| 248 |  |
|-----|--|

7. Count the number of cubes below.



There are \_\_\_\_\_ cubes.

8. Arrange the numbers below in order.

Begin with the greatest number.

76

96

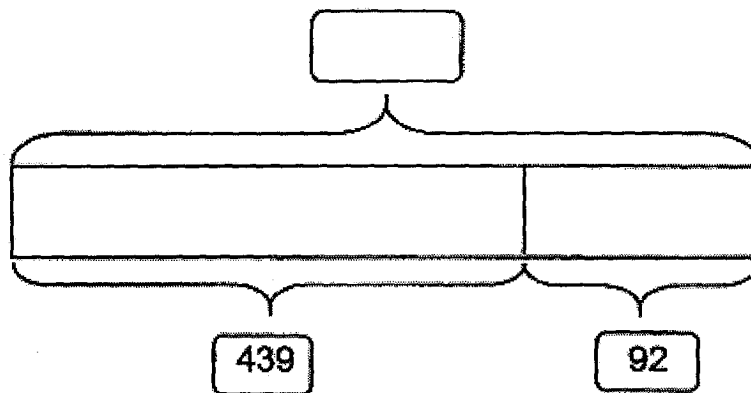
67

69

\_\_\_\_\_ , \_\_\_\_\_ , \_\_\_\_\_ , \_\_\_\_\_  
greatest

9.  $568 - 175 =$

10. Look at the model below. Fill in the missing value in the box.



11. Complete the number pattern below.

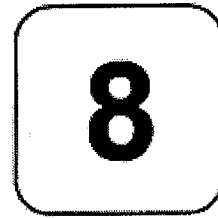
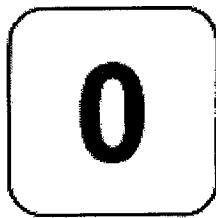
, 96 , 92 , 88 ,  , 80 , 76

12.  $4 \text{ tens} + 117 =$

13. Ben has 3 number cards as shown below.

He arranges the cards to form the smallest possible number that is greater than 100.

What is the number?



The number is \_\_\_\_\_.

### Section C: Long Answer Questions

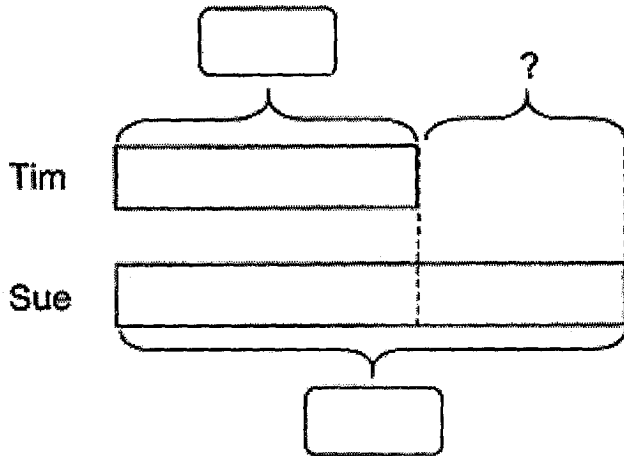
Show your number equations clearly and complete the answer statements

14. Tim collected 394 stickers.

Sue collected 537 stickers.

How many more stickers did Sue collect than Tim?

Fill in the correct values in the boxes for the comparison model below.



$$\boxed{\phantom{000}} \bigcirc \boxed{\phantom{000}} = \boxed{\phantom{000}}$$

Sue collected \_\_\_\_\_ more stickers than Tim.

15. Aunty Lim baked some muffins to sell.  
After selling 176 muffins, she had 90 muffins left.  
How many muffins did Aunty Lim bake at first?

$$\square - \bigcirc = \square$$

Aunty Lim baked \_\_\_\_\_ muffins at first.

----- The End -----



***Remember to check your work!***



SCHOOL : MAHA BODHI PRIMARY SCHOOL  
LEVEL : PRIMARY 2  
SUBJECT : MATH  
TERM : (Review 2) 2022

---

|      |   |
|------|---|
| Q1)  | 2   |
| Q2)  | 4   |
| Q3)  | 3   |
| Q4)  | 1   |
| Q5)  | 2   |
| Q6)  | 16  |
| Q7)  | 40  |
| Q8)  | Peter   |
| Q9)  | 8:22  |
| Q10) | 113 min   |
| Q11) | Card B  |
| Q12) | 1 h 32 min  |
| Q13) | 10  |
| Q14) | $173 - 65 = 108$<br>David is 108 mc tall.   |
| Q15) | <p>12:35pm                      2:35pm                      2:50pm</p> <p>The movie was 2h 15 min long.</p> |

