

**CHIJ ST NICHOLAS GIRLS' SCHOOL**

**Primary 5 Mathematics**

**Revision Paper for Termly Assessment 2 (TA 2) 2021**

**Set A**

**Name :** \_\_\_\_\_ ( )

**Date :** \_\_\_\_\_

**Class :** Primary 5 \_\_\_\_\_

**Marks :** \_\_\_\_\_ / 36

**Duration :** 1 h

**The use of calculator is allowed.**

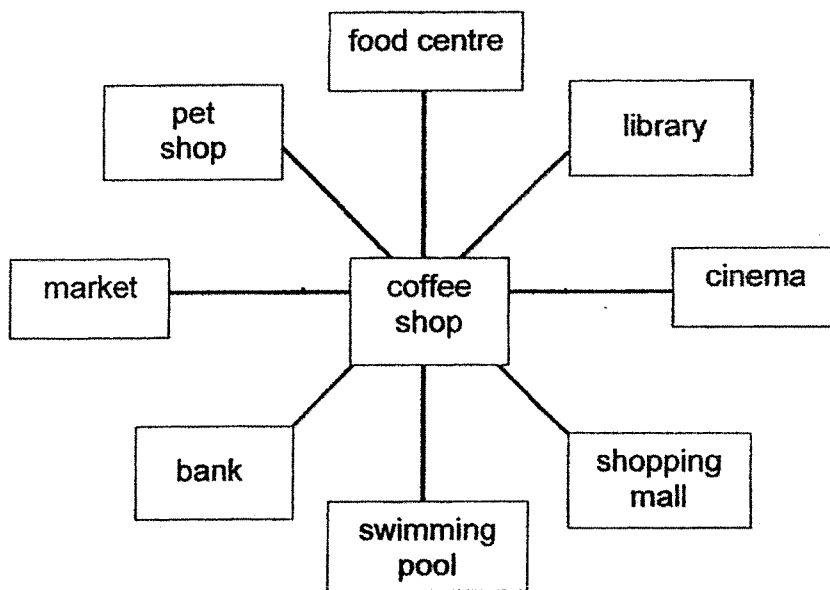
Questions 1 to 3 carry 2 marks each. Show your working clearly and write your answers in the spaces provided. For questions which require units, give your answers in the units stated. (6 marks)

Do not write in this space

1. 24 rulers cost \$7. Chi Wee bought 456 such rulers. How much did he pay for the rulers?

Ans : \$ \_\_\_\_\_

2. Tae Yong was standing at the coffee shop facing south. How many degrees would he need to turn in the anti-clockwise direction to face the bank?



Ans : \_\_\_\_\_ °

3. Ann, Jo and Sue shared a packet of keychains in the ratio 5 : 3 : 8.

Do not  
write in  
this space

Each statement below is either true, false or not possible to tell from the information given. For each statement, put a tick (  $\checkmark$  ) in the correct column.

Statement	True	False	Not possible to tell
The difference between the number of Sue's keychains and the number of Ann's keychains is the same as the number of Jo's keychains.			
Jo and Ann have 8 keychains altogether.			



For questions 4 to 11, show your working clearly and write your answers in the spaces provided. The number of marks available is shown in the brackets ( — ) at the end of each question or part-question. (30 marks)

Do not write in this space

4. Mrs Bala bought a packet of candies. She gave each of her 25 pupils an equal number of candies and had 55 candies left. Mrs Mano bought the same packet of candies for her 33 pupils. She gave each pupil 10 candies and had 50 candies left. How many candies did Mrs Bala give each of her pupils?

Ans : \_\_\_\_\_ [3]



5. A necklace cost twice as much as a ring. Petra spent  $\frac{1}{3}$  of her money on 2 necklaces and 3 rings. If Petra were to spend all her money on buying only rings, how many rings could she buy altogether?

Do not  
write in  
this  
space

Ans : \_\_\_\_\_ [3]



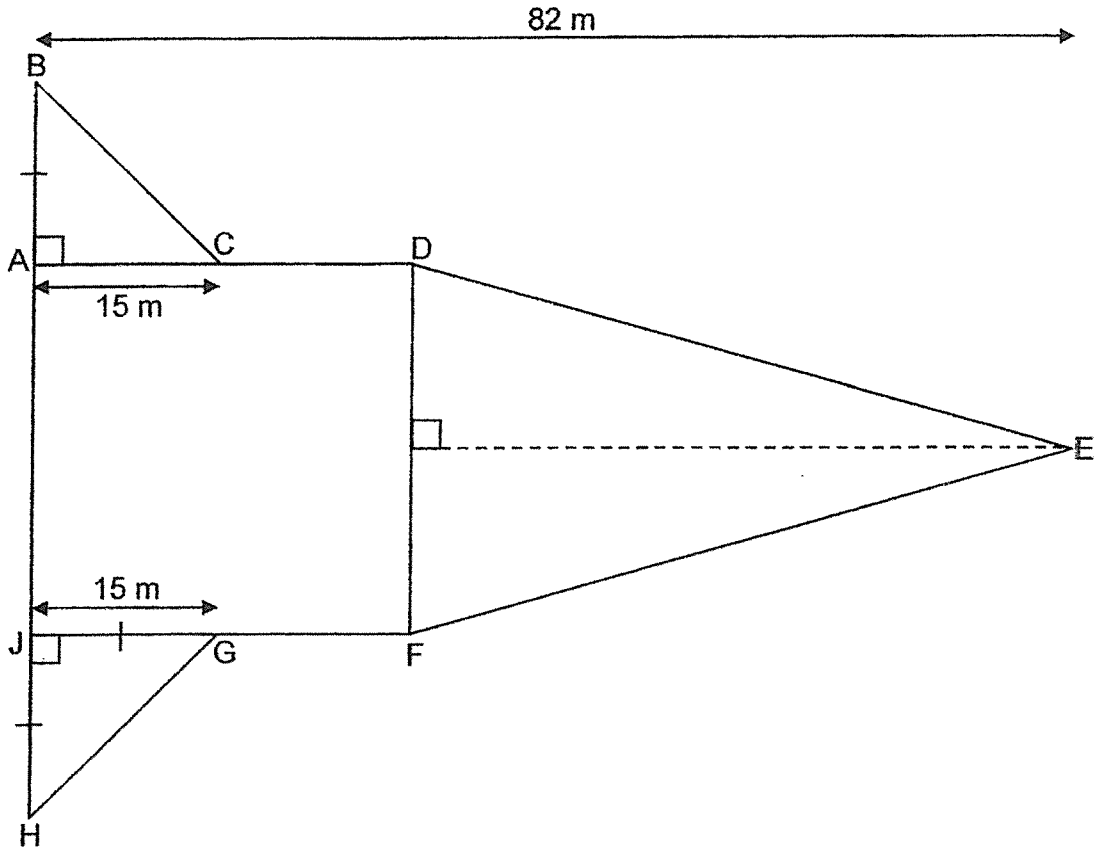
6. The ratio of the number of mangoes to the number of pears was 6 : 5 at first.  
There were 89 fewer pears than mangoes. 28 mangoes turned bad.  
How many mangoes were there in the end?

Do not  
write in  
this space

Ans : \_\_\_\_\_ [3]

7. The figure below is made up of 3 triangles and a square. The length of AD is two times of the length of AC. What is the area of the whole figure?

Do not write in this space



Ans : \_\_\_\_\_ [3]



8. 2 l 40 ml of water can fill exactly 3 similar jugs or 2 similar kettles.

(a) When each jug is completely filled, how much water can it hold?  
Leave your answer in ml.

(b) When 3 such kettles are completely filled, water from the 3 kettles is poured into 18 glasses. Each glass contains 150 ml of water. How much water is left in the 3 kettles?

Do not  
write in  
this space

Ans : (a) \_\_\_\_\_ [1]

(b) \_\_\_\_\_ [3]





9. A box  $\frac{3}{8}$  filled with beans has a total mass of  $5\frac{3}{4}$  kg. When the same box is completely filled with beans, the total mass is  $13\frac{7}{10}$  kg. What is the mass of the box when it is empty? Leave your answer in kg.

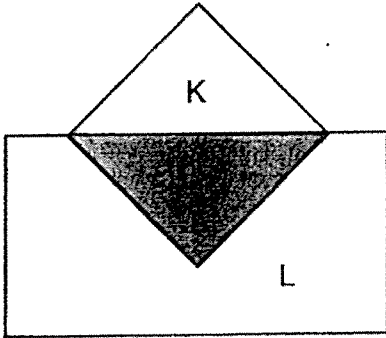
Do not  
write in  
this space

Ans : \_\_\_\_\_ [4]



10. Square K and Rectangle L overlap to form the figure below. The ratio of the area of the shaded part to the area of Square K to the area of Rectangle L is 1 : 2 : 5. The area of Rectangle L is 105 cm<sup>2</sup>.

- (a) Find the area of the shaded part.
- (b) Find the area of the whole figure.



Do not write in this space

Ans : (a) \_\_\_\_\_ [2]

(b) \_\_\_\_\_ [3]



11. A group of pupils learnt to play musical instruments during Passion Pursuit.

$\frac{2}{5}$  of them learnt to play the guitar.  $\frac{1}{4}$  of the rest of the pupils learnt to play the drum. All the remaining pupils learnt to play the recorder. A total of 255 pupils learnt to play the guitar and the recorder.

- (a) What fraction of the group of pupils learnt to play the recorder?  
(b) How many pupils were there in the group?

Do not  
write in  
this space

Ans : (a) \_\_\_\_\_ [2]

(b) \_\_\_\_\_ [3]

The end

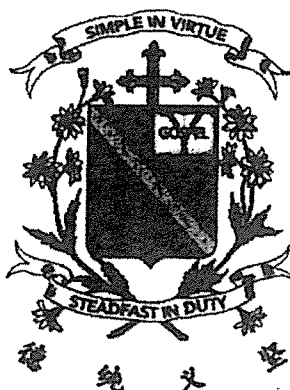




Name: \_\_\_\_\_ ( )

Class: Primary 5 \_\_\_\_\_

**CHIJ ST NICHOLAS GIRLS' SCHOOL (PRIMARY)**



**Primary 5 Mathematics**

**2021 Termly Assessment 2**

**7 May 2021**

<b>Total Marks</b>	<b>36</b>
--------------------	-----------

\_\_\_\_\_  
**Parent's/Guardian's Signature**

**Time: 1 hour**

**INSTRUCTIONS TO CANDIDATES**

Do not turn over this page until you are told to do so.

Follow all instructions carefully.

Answer all questions.

Write your answers in this booklet

The use of an approved calculator is expected, where appropriate.

This booklet consists of 9 printed pages.



Questions 1 to 3 carry 2 marks each. Show your working clearly and write your answers in the spaces provided. For questions, which require units, give your answers in the units stated.

(6 marks)

Do not write in this space

1. Dion had 10 800 balloons. She packed 50 balloons into each bag. She used 175 bags altogether. How many balloons were left unpacked?

Ans : \_\_\_\_\_

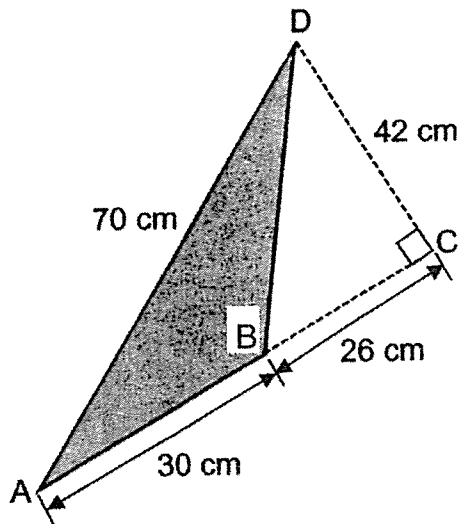
2. Elias, Fred and Gopal collected some cards in the ratio 13 : 7 : 12. Fred collected 48 fewer cards than Elias. How many cards did Gopal collect?

Ans : \_\_\_\_\_



3. In the figure below, AB is the base of Triangle ABD.  
What is the area of Triangle ABD?

Do not  
write  
in this  
space



Ans : \_\_\_\_\_ cm<sup>2</sup>

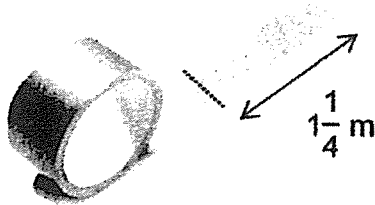




For questions 4 to 11, show your working clearly and write your answers in the spaces provided. The number of marks available is shown in the brackets ( ) at the end of each question or part-question. (30 marks)

Do not write in this space

4. Sally had a roll of ribbon. She cut out 8 ribbons of length  $1\frac{1}{4}$  m each to wrap some presents. She was left with  $3\frac{1}{10}$  m of ribbon. What was the length of the roll of ribbon Sally had at first? Leave your answer as a mixed number.



Ans : \_\_\_\_\_ [3]

5. Ning Hui saved the same amount of money every week for 9 weeks. With the total amount of money saved in the 9 weeks, she bought a pair of shoes that cost \$142.35. She had \$7.50 left in the end. How much money did Ning Hui save every week?

Ans : \_\_\_\_\_ [3]

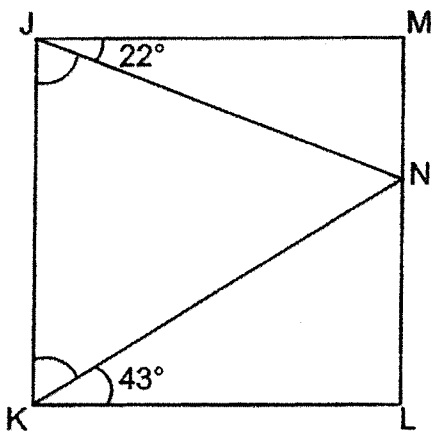


6. At a bookshop, the ratio of the number of magazines to the number of storybooks to the number of comics is  $10 : 3 : 4$ . There are 252 storybooks and comics altogether. How many magazines are there?

Do not write in this space

Ans : \_\_\_\_\_ [3]

7. JKLM is a square. Find the sum of  $\angle NJK$  and  $\angle JKN$ .



Ans : \_\_\_\_\_ [3]



8. Jean and Indira each bought 2 kg of flour to make some pancakes. The same amount of flour was used for each pancake. Jean made 45 pancakes and had 650 g of flour left. Indira made 10 more pancakes than Jean.

Do not  
write  
in this  
space

- (a) How much flour was used for each pancake?
- (b) With the remaining flour from both girls, how many more such pancakes can be made at most?

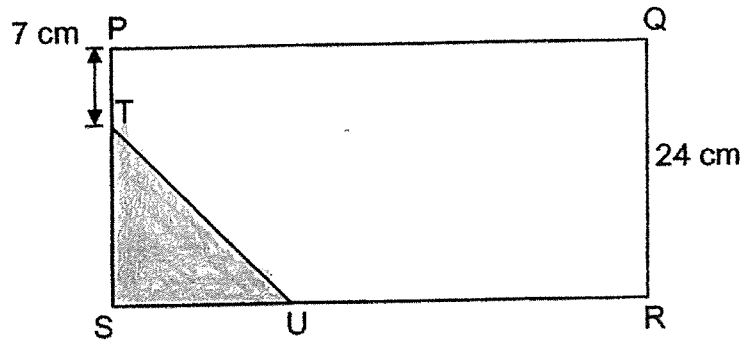
Ans : (a) \_\_\_\_\_ [1]

(b) \_\_\_\_\_ [3]



9. In the figure below, PQRS is a rectangle and STU is a triangle.  
PQ is twice of QR and SR is three times of SU.  
Find the area of the unshaded part.

Do not  
write  
in this  
space



Ans : \_\_\_\_\_ [4]



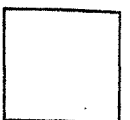
10. Lindon saved  $\frac{2}{7}$  of his money and gave  $\frac{3}{5}$  of the remainder to his mother.  
Then he divided the remaining amount equally between his 4 sisters.

- (a) What fraction of Lindon's money did he divide among each of his 4 sisters? Leave your answer in the simplest form.
- (b) Each of his 4 sisters received \$115. How much money did Lindon have at first?

Do not  
write  
in this  
space

Ans : (a) \_\_\_\_\_ [2]

(b) \_\_\_\_\_ [3]



11. Olivia and Patricia bought some gift cards at the prices shown below.

Do not  
write  
in this  
space

Type of Gift Cards	Price
Small	3 for \$5
Large	2 for \$7

- (a) Olivia spent a total of \$36 on some small and large gift cards.  
How many small gift cards did Olivia buy?
- (b) Patricia bought an equal number of small and large gift cards.  
She spent \$33 more on the large cards. How many small and large  
gift cards did Patricia buy altogether?

Ans : (a) \_\_\_\_\_ [2]

(b) \_\_\_\_\_ [3]

\*End of Paper\*



## ANSWER KEY

**YEAR** : 2021  
**LEVEL** : PRIMARY 5  
**SCHOOL** : CHIJ ST NICHOLAS GIRLS' SCHOOL  
**SUBJECT** : MATHEMATICS  
**TERM** : TERM 2 (TA 2) SET A

Q1	$456 \div 4 = 114$ $19 \times 7 = 133$		
Q2	$45 \times 7 = 315^\circ$		
Q3	True	False	Not possible to tell
	✓		
			✓
Q4	$(33 \times 10) + 50 = 380$ $380 - 55 = 325$ <del><math>325 \div 55 = 325</math></del> $325 \div 15 = 13$ She gave 13 candies		
Q5	$2 \times 2 = 4$ $3 \times 1 = 3$ $3 + 4 = 7$ $7 \times 3 = 21$		
Q6	$6 - 5 = 1$ $89 \times 6 = 534$ $534 - 28 = 506$		
Q7	$15 \times 2 = 30$ $82 - 30 = 52$ $\frac{1}{2} \times 30 \times 52 = 780$ $30 \times 30 = 900$ $15 \times 15 = 225$ $900 + 225 + 780 = 1905 \text{cm}^2$		
Q8	$2040 \div 3 = 680$ $680 \times 3 = 2040$ $2040 \div 2 = 1020$ $2040 + 1020 = 3060$ $150 \times 18 = 2700$ $3060 - 2700 = 360$ a) 680ml b) 360ml		

Q9	$5u = 7\frac{19}{20}$ $1u = 7\frac{19}{20} \div 5 = 1\frac{59}{100}$ $1\frac{59}{100} \times 3 = 4\frac{77}{100}$ $5\frac{3}{4} - 4\frac{77}{100} = \frac{98}{100}$ $= \frac{49}{50}$ <p>The mass is <math>\frac{49}{50}</math>kg</p>
Q10	$5u = 105$ $1u = 105 \div 5 = 21$ $(1+2+5) - 1 - 1 = 6$ $6u = 21 \times 6 = 126$ <p>a) <math>21\text{cm}^2</math> b) <math>126\text{cm}^2</math></p>
Q11	$\frac{9}{20}$ pupils play the recorder $\frac{8}{20} + \frac{9}{20} = \frac{17}{20}$ $\frac{17}{20} \rightarrow 255$ $\frac{1}{20} \rightarrow 255 \div 17 = 15$ $\frac{20}{20} \rightarrow 20 \times 15 = 300$ <p>There was 300 pupils</p> <p>a) <math>\frac{9}{20}</math> b) 300</p>



## ANSWER KEY

**YEAR** : 2021  
**LEVEL** : PRIMARY 5  
**SCHOOL** : CHIJ ST NICHOLAS GIRLS' SCHOOL  
**SUBJECT** : MATHEMATICS  
**TERM** : TERM 2 ASSESSMENT 2

Q1	$10800 \div 50 = 216$ $216 - 175 = 41$ $41 \times 50 = 2050$
Q2	$13 - 7 = 6$ $6u \rightarrow 48$ $1u = 48 \div 6 = 8$ $12u \rightarrow 8 \times 12 = 96$
Q3	$\frac{1}{2} \times 30 \times 42 = 630$
Q4	$1\frac{1}{4} \times 8 = 10$ $10 + 3\frac{1}{10} = 13\frac{1}{10}$
Q5	$142 - 35 + 7 - 50 = 149 - 85$ $149 - 85 \div 9 = \$16.65$
Q6	<b>M:SB:C</b> $10:3:4$ $3+4=7$ $7u=252$ $1u=252 \div 7=36$ $36 \times 10 = 360$
Q7	$90 - 22 = 68$ $90 - 43 = 47$ $68 + 47 = 115^\circ$
Q8	$2000 - 650 = 1350$ $1350 \div 45 = 30$ $45 + 10 = 55$ $30 \times 55 = 1650$ $2000 - 1650 = 350$ $650 + 350 = 1000$ $100 \div 3 \approx 33$ a) 30g                      b) 33
Q9	$PQ = 24 \times 2 = 48 \text{cm}$ $48 \div 3 = 16$ $48 \times 24 = 1152$ $\frac{1}{2} \times 16 \times 17 = 136$ $1152 - 136 = 1016 \text{cm}^2$

Q10	$5-3=2$ $\frac{2}{7} \div 4 = \frac{1}{14}$ $\frac{1}{2} \rightarrow 45$ $2u=115 \times 4=2460$ $1u=460 \div 2=230$ $7u=230 \times 7=1610$ a) $\frac{1}{14}$ b) \$1610
Q11	a) $15+21=36$ $36 \div 12=3$ $3 \times 3=9$ b) $4 \times 5=20$ $20+42=62$ $6 \times 7=42$ $42-20=22$ $6 \times 5=30$ $9 \times 7=63$ $63-30=33$ $18 \times 2=36$