



**Rosyth School**  
**Weighted Assessment 2021**  
**MATHEMATICS**  
**Paper 1**  
**Primary 5**

Name: \_\_\_\_\_

Register No. \_\_\_\_\_

Class: Pr 5 - \_\_\_\_\_ Group: \_\_\_\_\_

Date: 10 May 2021

Parent's Signature: \_\_\_\_\_

Total Time for Booklets A and B : 25 min

**Instructions to Pupils:**

1. Do not open this booklet until you are told to do so.
2. Follow all instructions carefully.
3. **Show your workings clearly** as marks are awarded for correct working.
4. Write your answers in this booklet.
5. You are not allowed to use a calculator.
6. Answer all questions.

Section	Maximum Mark	Marks Obtained
<b>Q1 – 5</b>	<b>5</b>	
<b>Q6 – 14</b>	<b>15</b>	
<b>Q15 – 19</b>	<b>16</b>	
<b>Total</b>	<b>36</b>	

\* This booklet consists of 7 pages (including this cover page)

This paper is not to be reproduced in part or whole without the permission of the Principal.



**Section A – MCQ**

Questions 1 to 5 carry 1 mark each. For each question, four options are given. One of them is the correct answer.

Make your choice (1, 2, 3 or 4) and write your answer in the brackets provided.

*All diagrams in this paper are not drawn to scale unless stated otherwise.*

(5 marks)

---

1. Round 345 643 to the nearest thousand.

(1) 345 600

(2) 345 640

(3) 346 000

(4) 350 000

( )

2. What is the value of  $72\,000 \div 900$ ?

(1) 8

(2) 80

(3) 800

(4) 8000

( )

3. How many sixths are there in  $\frac{2}{3}$ ?

(1) 6

(2) 2

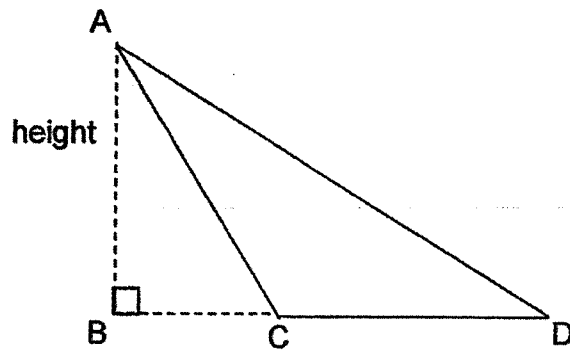
(3) 3

(4) 4

( )

(Go on to the next page)

4. In the diagram below, AB is the height of triangle ACD. Which one of the following represents the base of triangle ACD?



- (1) CD  
(2) AD  
(3) BD  
(4) AC
- ( )
5. Ahmad had 12 sweets and Brian had 20 sweets. What is the ratio of the number of sweets Ahmad had to the total number of sweets?

- (1) 3 : 5  
(2) 5 : 3  
(3) 3 : 8  
(4) 5 : 8
- ( )

(Go on to Section B)

**Section B**

Questions 6 to 8 carry 1 mark each. Questions 9 to 14 carry 2 marks each. Show your workings clearly in the space provided for each question and write your answers in the spaces provided. For questions which require units, give your answers in the units stated.

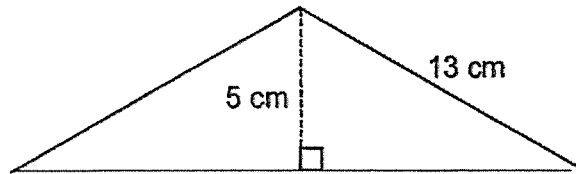
Do not write  
in this space

**All diagrams in this paper are not drawn to scale unless stated otherwise.**  
**(15 marks)**

6. Find the value of  $36 - (20 + 4) \times 5 \div 4$ .

Ans: \_\_\_\_\_

7. Find the area of the triangle shown below.



Ans: \_\_\_\_\_ cm<sup>2</sup>

8. Express  $\frac{13}{20}$  as a decimal.

Ans: \_\_\_\_\_

(Go on to the next page)

9. May had  $\frac{7}{8}$  m of ribbon. She used  $\frac{1}{6}$  m of ribbon to tie a present. How much ribbon had she left? Give your answer in its simplest form.

Do not write  
in this space

Ans: \_\_\_\_\_ m

10. Candice and Elijah had a total of \$450. The ratio of the amount of money that Candice had to the amount of money that Elijah had was 4 : 5. How much money did Elijah have?

Ans: \$ \_\_\_\_\_

(Go on to the next page)

11. Camille and Jane had the same number of marbles at first. When Jane gave Camille 28 marbles, Camille had five times as many marbles as Jane. How many marbles did each of them have at first?

Do not write  
in this space

Ans: \_\_\_\_\_

12. Mary has 20 more stickers than Carl. Hilda has 3 times as many stickers as Mary. They have a total of 145 stickers. How many stickers does Carl have?

Ans: \_\_\_\_\_

(Go on to the next page)

13. Ahmad had  $\frac{7}{10}$  kg of flour. He used  $\frac{1}{4}$  of it to bake some cookies. How much flour did he use to bake the cookies?

Do not write  
in this space

Ans: \_\_\_\_\_ kg

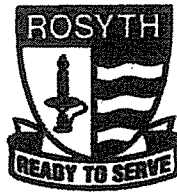
- 
14.  $\frac{1}{3}$  of a number is 16. What is  $\frac{5}{8}$  of the same number?

Ans: \_\_\_\_\_

---

**End of Paper 1**  
**Have you checked your work?**





**Rosyth School**  
**Weighted Assessment 2021**  
**MATHEMATICS**  
**Paper 2**  
**Primary 5**

Name: \_\_\_\_\_

Register No. \_\_\_\_\_

Class: Pr 5 - \_\_\_\_\_ Group: \_\_\_\_\_

Date: 10 May 2021

Parent's Signature: \_\_\_\_\_

Time: 30 min

---

Instructions to Pupils:

1. Do not open this booklet until you are told to do so.
2. Follow all instructions carefully.
3. **Show your workings clearly** as marks are awarded for correct working.
4. Write your answers in this booklet.
5. You are allowed to use a calculator.
6. Answer all questions.

Questions	Maximum Mark	Marks Obtained
<b>Q15 - 19</b>	<b>16</b>	

\* This booklet consists of **6** pages (including this cover page)

This paper is not to be reproduced in part or whole without the permission of the Principal.

For Questions 15 to 19, show your working clearly in the space provided for each question and write your answers in the spaces provided. The number of marks available is shown in brackets [ ] at the end of each question or part-question. For questions which require units, give your answers in the units stated.

Do not write  
in this space

**All diagrams in this paper are not drawn to scale unless stated otherwise.**

(16 marks)

15. Britney had 189 stamps. The ratio of the number of stamps that Susan had to the number of stamps that Britney had was 7 : 9. How many stamps did Susan have?

Ans: \_\_\_\_\_ [2]

(Go on to the next page)

16. There were some chairs in a hall that were arranged in rows of 15 at first. When 137 chairs were brought into the hall, the chairs were then rearranged in rows of 12. There were now 14 more rows and the last row only had 8 chairs. How many chairs are there in the hall at first?

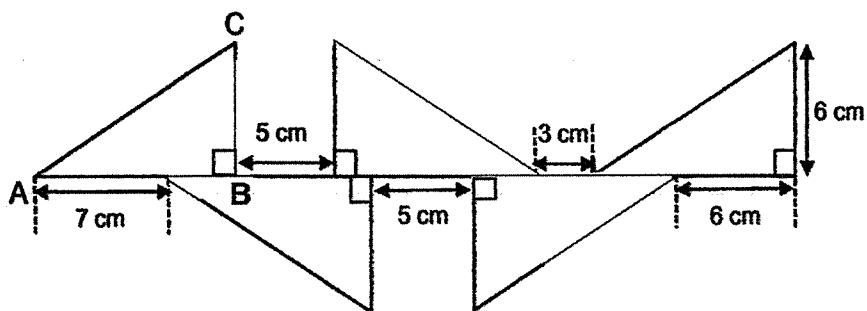
Do not write  
in this space

Ans: \_\_\_\_\_ [3]

(Go on to the next page)

17. The figure below is formed by 5 identical triangles.

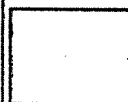
Do not write  
in this space



- (a) What is the length of AB?
- (b) What is the area of triangle ABC?

Ans: (a) \_\_\_\_\_ [2]

(b) \_\_\_\_\_ [1]



(Go on to the next page)

18. The price of 1 durian was \$20. A shopkeeper gave 1 durian free for every 4 durians that were bought. Lisa spent a total of \$620 on the durians. How many durians did Lisa get?

Do not write  
in this space

Ans: \_\_\_\_\_ . [4]

(Go on to the next page)

19. Ronan spent  $\frac{1}{7}$  of his money and an additional \$30 on a shirt. He spent  $\frac{2}{3}$  of the remaining money and an additional \$15 on a pair of jeans. If he had \$75 left, how much money did Ronan have at first?

Do not write  
in this space

Ans: \_\_\_\_\_ [4]



---

**End of paper**  
**Have you checked your work?**

# ANSWER KEY

**YEAR : 2021**  
**LEVEL : PRIMARY 5**  
**SCHOOL : ROYSTH SCHOOL**  
**SUBJECT : MATHEMATICS**  
**TERM : WEIGHTED ASSESSMENT**

## PAPER 1

Q1	3	Q2	2	Q3	4	Q4	1	Q5	3
----	---	----	---	----	---	----	---	----	---

Q6	$36 - 24 \times 5 \div 4$ $= 36 - 120 \div 4$ $= 36 - 30$ $= 6$
Q7	$\frac{1}{2} \times 24 \times 5 = 60 \text{cm}^2$
Q8	0.65
Q9	$\frac{7}{8} - \frac{1}{6}$ $= \frac{21}{24} - \frac{4}{24}$ $= \frac{17}{24} \text{m}$
Q10	$450 \div 9 = 50$ $50 \times 5 = \$250$
Q11	$28 \div 2 = 14$ $14 \times 3 = 42$
Q12	$145 + 20 = 165$ $165 \div 5 = 33$ $33 - 20 = 13$
Q13	$\frac{7}{10} \times \frac{1}{4} = \frac{7}{40} \text{kg}$
Q14	$16 \times 3 = 48$ $48 \div 8 = 6$ $6 \times 5 = 30$

## PAPER 2

Q15	$1U \rightarrow 189 \div 9 = 21$ Susan $\rightarrow 21 \times 7 = 147$ Susan had 147 stamps
Q16	rearranged rows $\rightarrow 12 \times 13 + 8 = 164$ rows at first $\rightarrow 164 - 137 = 27$ Chairs $\rightarrow 27 \times 15 = 405$

(Turn next page for answer)

	<p>Rows at first <math>\rightarrow 27 \div 3 = 9</math>          Chairs <math>\rightarrow 15 \times 9 = 135</math> (ans)          There were 135 chairs at first</p>
Q17	<p>Length <math>\rightarrow 3 + 7 = 10</math> cm ( ans (a) )          Area <math>\rightarrow \frac{1}{2} \times 6 \times 10 = 30</math> cm<sup>2</sup> ( ans (b) )          The length of AB is 10 cm          The area of ABC is 30 cm<sup>2</sup></p>
Q18	<p>bought <math>\rightarrow 620 \div 20 = 31</math>          Free <math>\rightarrow 31 \div 4 = 7</math> R3          Total <math>\rightarrow 31 + 7 = 38</math> (ans)          She got 38 durians</p>
Q19	<p><math>75 + 15 = 90</math>          remaining <math>\rightarrow 90 \times 3 = 270</math>  <math>270 + 30 = 300</math>  <math>300 \div 6 = 50</math>  <math>50 \times 7 = \\$350</math>          Rohan had \$350 at first.</p>

2  
ZND