



**Rosyth School
Mathematics
Primary 2
Topical Review 2021 (Term 3)**

Name: _____ ()

Date: _____

Class: Primary 2 _____

Parent's Signature: _____

Teacher's Assessment

Your child is able to:	Question	Getting there	Got it!
<u>Length</u>			
Estimate and measure length in metres / centimetres	1, 2		
Draw a straight line given of a given length	3		
Compare lengths	7		
<u>Money</u>			
Convert dollars and cents to cents, and vice versa	4, 5		
Compare two amounts of money	8		
Solve word problems involving money in dollars	10		
<u>Addition and Subtraction (Problem Sums)</u>			
Solve a 1-step addition / subtraction word problem	6, 9		
Solve a 2-step addition / subtraction word problem	11, 12		
Teacher's Feedback (if any):			

Pupil's Self-Assessment

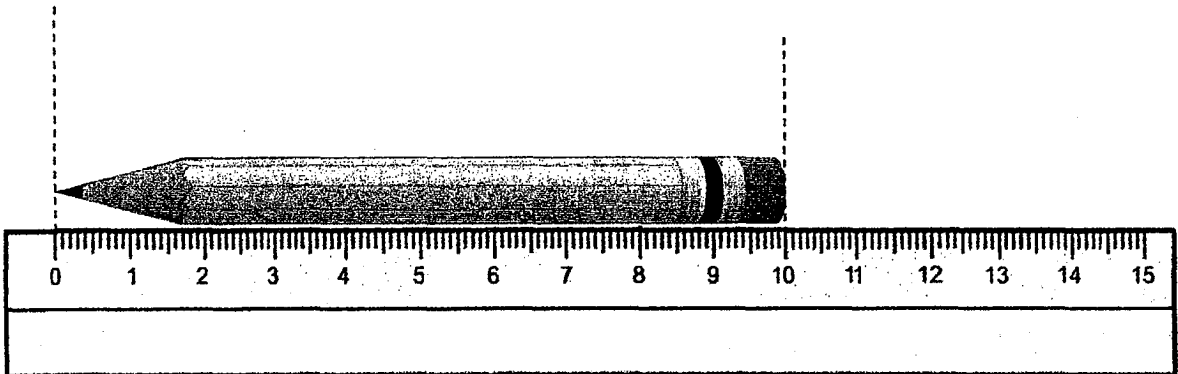
I am able to:	Question	😊	😞
<u>Length</u>			
Estimate and measure length in metres / centimetres	1, 2		
Draw a straight line given of a given length	3		
Compare lengths	7		
<u>Money</u>			
Convert dollars and cents to cents, and vice versa	4, 5		
Compare two amounts of money	8		
Solve word problems involving money in dollars	10		
<u>Addition and Subtraction (Problem Sums)</u>			
Solve a 1-step addition / subtraction word problem	6, 9		
Solve a 2-step addition / subtraction word problem	11, 12		
I have checked my work before handing in			

Section A: Short-Answer Questions

Read the questions carefully.

For questions 1 to 9, write your answers in the boxes provided.

1. Find the length of the pencil below.

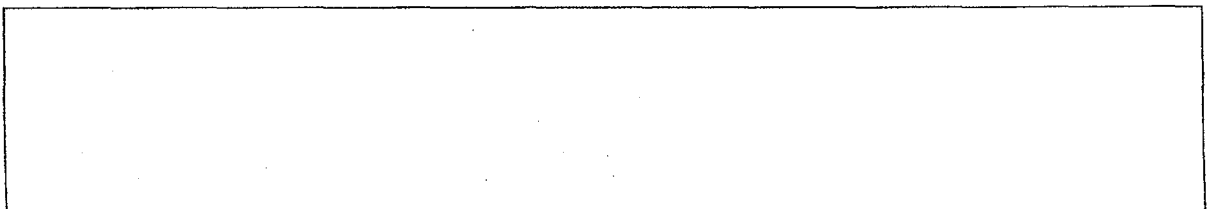


Ans: **cm**

-
2. Fill in the blank with the appropriate unit, *cm* or *m*.

The height of a cup is about 10 _____ .

-
3. Use a ruler to draw a straight line that is 4 cm long in the box below.



4. Write the following in numerals.

Four dollars and ninety-five cents = \$

5. Write the amount in cents.

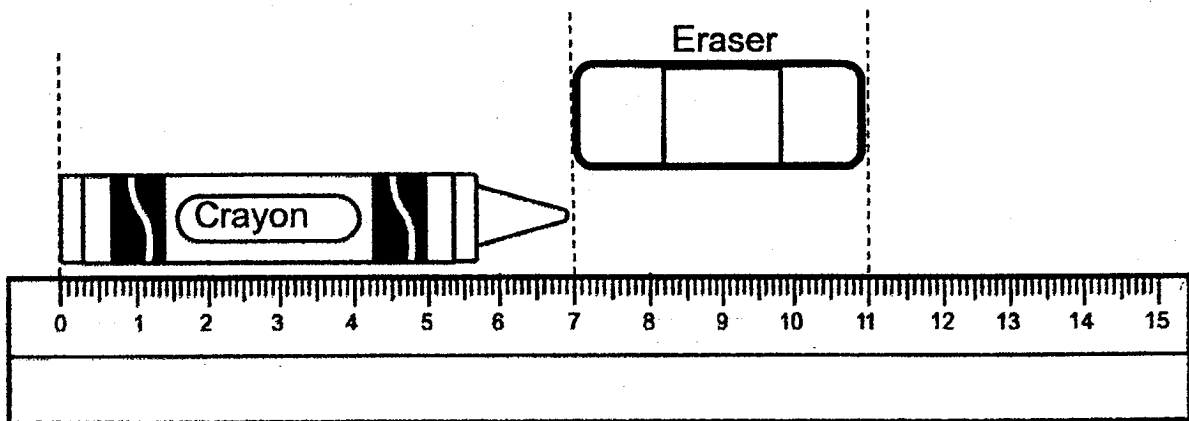
\$8.05 = ¢

6. Ken had 720 stickers. Then his father gave him 65 stickers.

How many stickers would Ken have now?

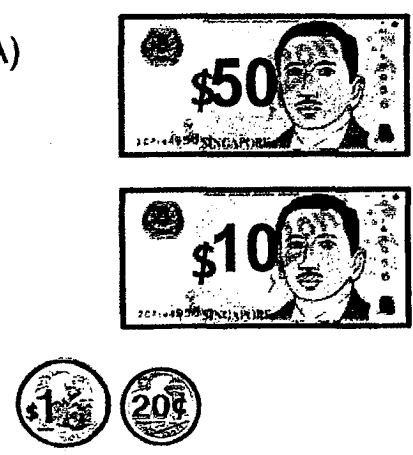
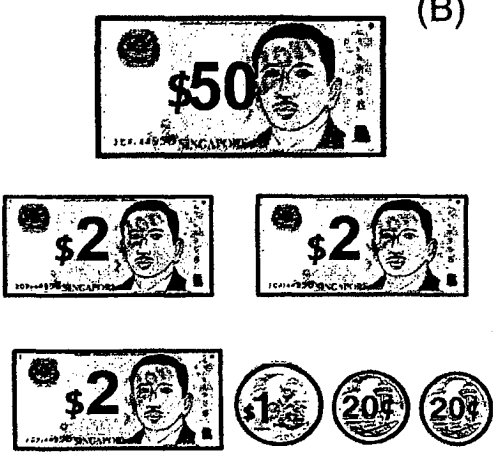
Ans:

7.



The eraser is cm **shorter** than the crayon.

8. Put a tick (✓) in the box for the set with **more** amount of money.

<p>(A)</p> 	<p>(B)</p> 

9. Nila had 156 candies.

She has 40 more candies than Peter.

How many candies does Peter have?

Ans:

Section B: Long-Answer Questions

Read the questions carefully.

For questions 10 to 12, show all your number equations and workings clearly.

10. A notebook costs \$6.

Ethan bought 3 notebooks.

He gave the cashier \$50.

(a) How much did Ethan pay for the 3 notebooks?

Working

Ethan paid \$ _____ for the 3 notebooks.

(b) How much change did he receive?

He received \$ _____ as change.

11. Gary baked 240 cupcakes on Monday.

Working

He baked 14 more cupcakes on Tuesday than on Monday.

(a) How many cupcakes did he bake on Tuesday?

He baked _____ cupcakes on Tuesday.

(b) How many cupcakes did he bake altogether?

He baked _____ cupcakes altogether.

12. There are 576 green and red flags altogether.

There are 128 green flags.

How many more red flags are there than green flags?


Working

There are _____ more red flags.

- END OF PAPER -

Please check your work. 😊

Topical Review (Term 3)

Q1	10	Q2	cm
Q3		Q4	4.95
Q5	805	Q6	$720+65=785$
Q7	$7-4=3$	Q8	Tick (A)
Q9	$156-40=116$	Q10	(a) $6 \times 3 = 18$ (b) $50-18=32$
Q11	(a) $240+14=254$ (b) $240+254=494$	Q12	$576-128=448$ $448-128=320$

More Papers at

sgTestPaper.com